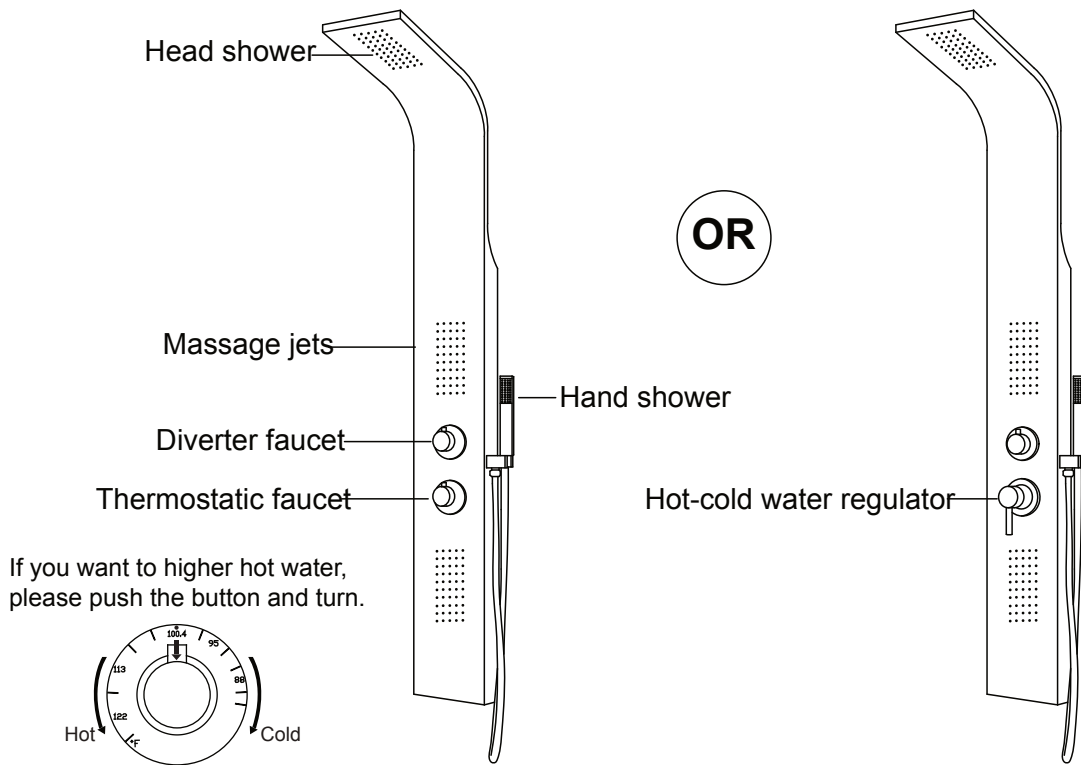
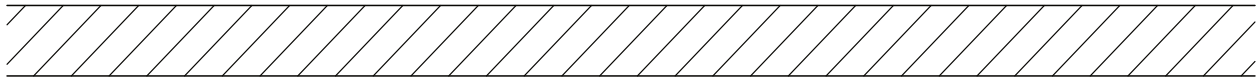


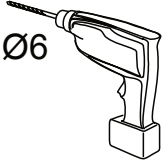
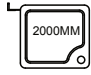


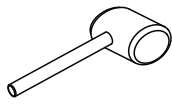
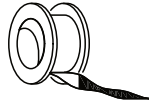
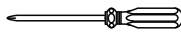
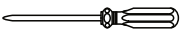
INSTALLATION INSTRUCTIONS FOR SHOWER COLUMN



Note: Installation is the same



FOR INSTALLATION YOU MAY REQUIRE

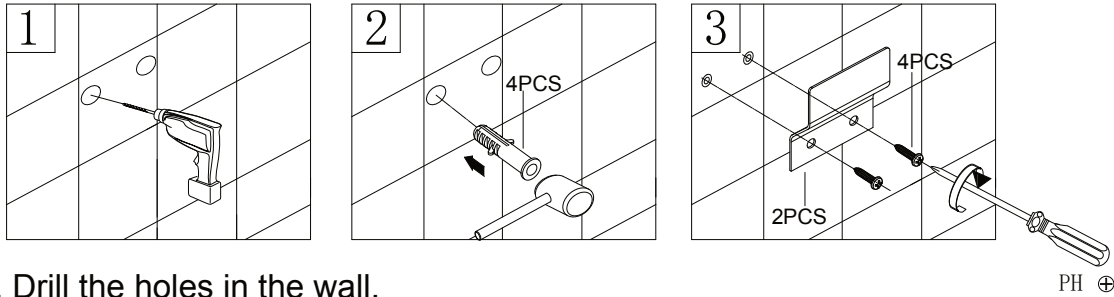
			
Electric Drill	Tape	Wrenches	Pencil
			
Hammer	Sealing Tape	Screwdriver	Screwdriver



INSTALLATION INSTRUCTIONS FOR SHOWER COLUMN

Note: Always check the walls for pipes and wires before drilling.

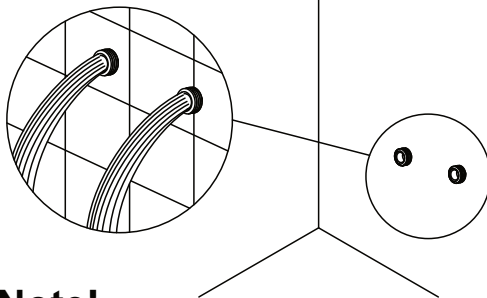
Steps:



1. Drill the holes in the wall.

2. Insert the wall plugs inside the holes.

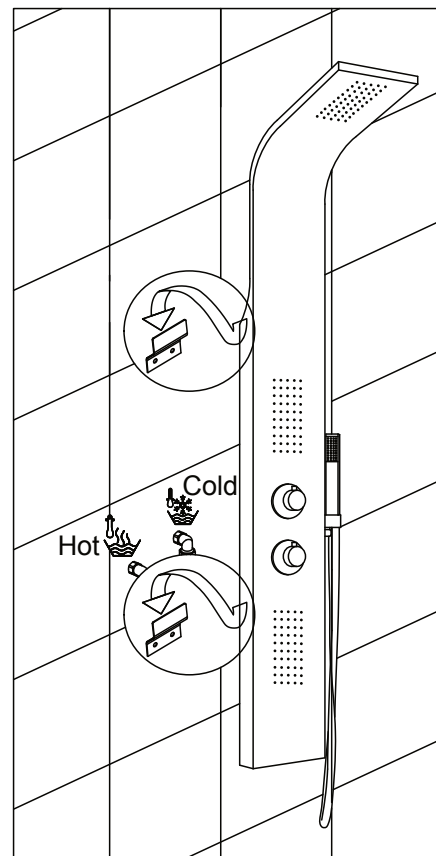
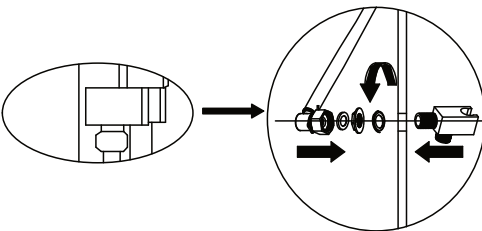
3. Tighten the screws to the wall with wall mounting brackets.



Note!

Before assembly, flush the water supply pipes thoroughly to remove debris (allow the water to run with the main stopcock open for about 3 mins), otherwise dirt particles might affect the function of the shower panel!

Shower holder installation guide



Note: No harsh abrasive cleaning agents or materials can be used, use a clean damp cloth only.



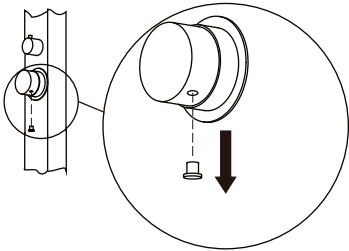


NOTE: PLEASE CARRY OUT THE FOLLOWING STEPS, IF CLEANING /MAINTENANCE IS REQUIRED.

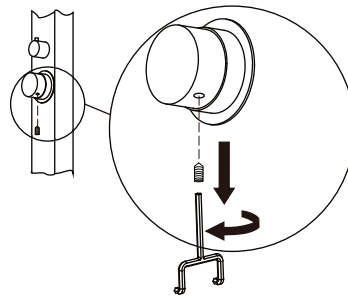
Thermostatic valve removal and installation

Remove process

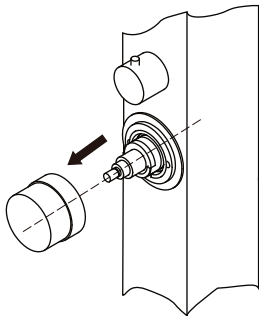
① Take off cap



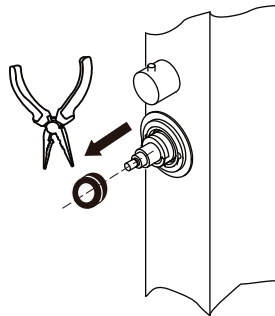
② Loosen HEX screw off with allen wrench



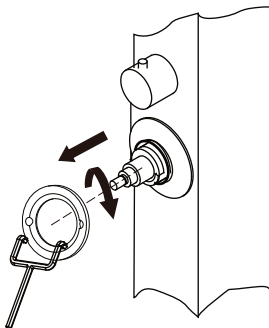
③ Take off head



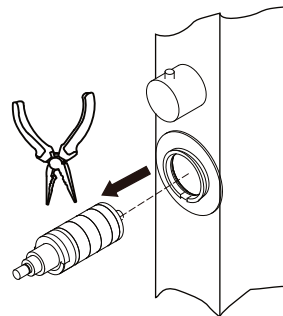
④ Take off ring



⑤ Unscrew the brass ring from the valve by tool

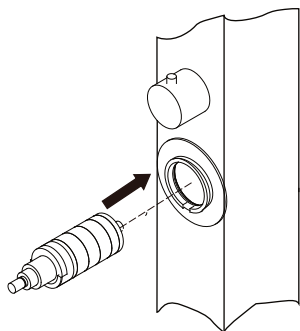


⑥ Remove the valve and clean: Run under warm water and use a toothbrush or similar to remove any debris or limescale

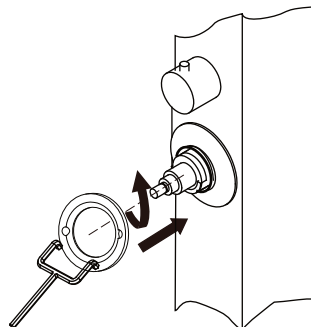


Installation process

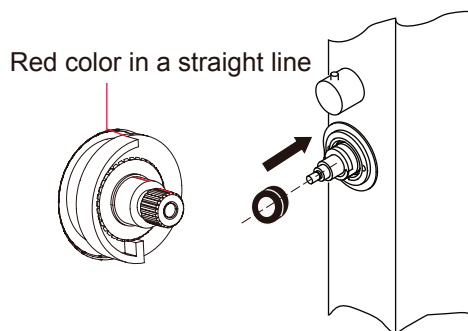
① Put the valve back



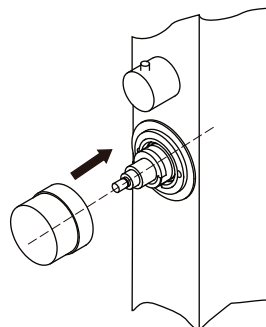
② Put brass ring on top of valve



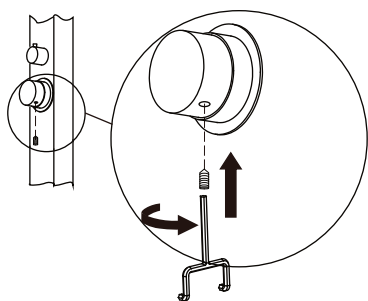
③ Put ring in place



④ Press the button on the head and put on the head as below ensuring the screw hole pointing to the front



⑤ Use allen key to fix the HEX screw tightly



⑥ Put on cap

