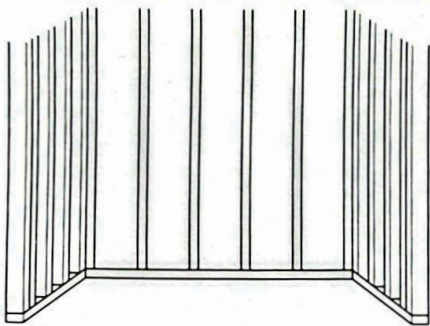
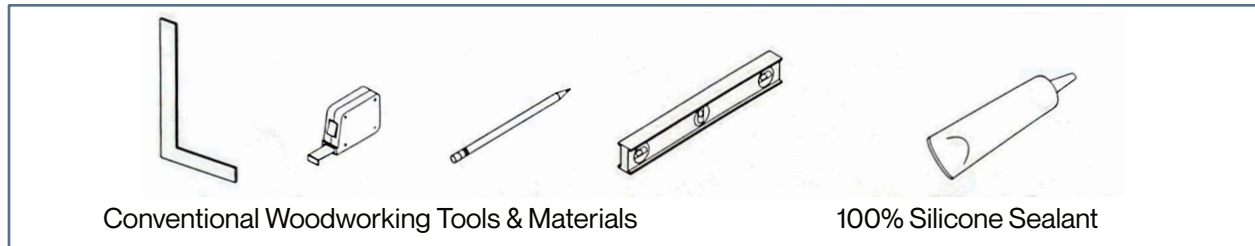


INSTALLATION INSTRUCTIONS FOR IYO-32-2 BATH

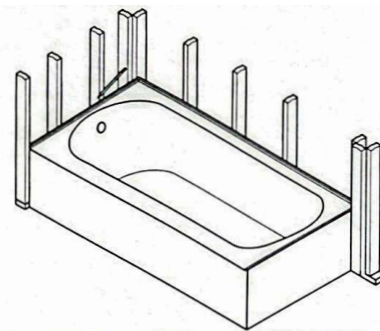
IMPORTANT POINTS TO REMEMBER BEFORE BEGINNING INSTALLATION:

- Verify that floor is structurally sound and level, floor must be able to support the full load of the tub including water to the overflow level.
- Provide access to all plumbing connections.
- Observe all local building and plumbing codes.

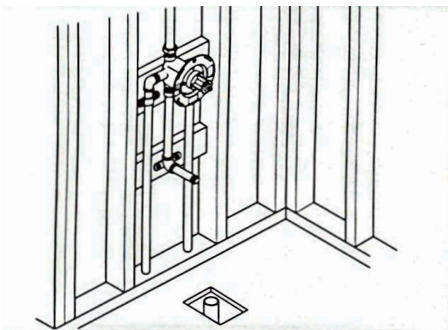
TOOLS NEEDED



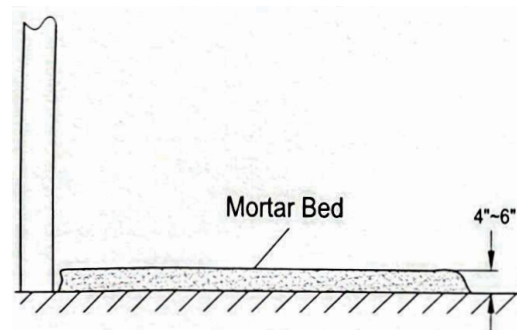
1. Prepare area by framing the area where the tub will be installed.



2. Place the tub at the location where the tub will be installed, level tub on all sides and mark the location of the drain and the wall studs on the tiling flange.



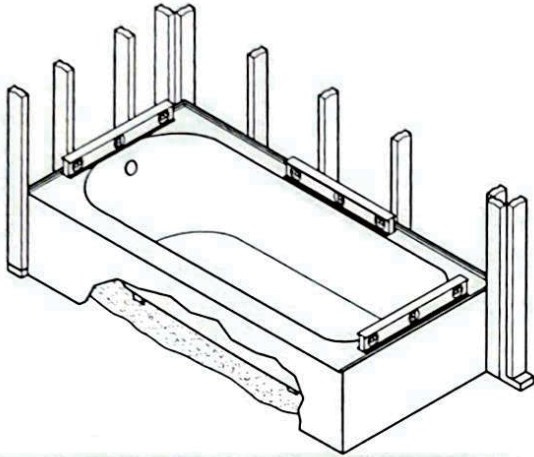
3. Remove the tub and install the drain, predrill holes on the tiling flange at the marked location of the studs.



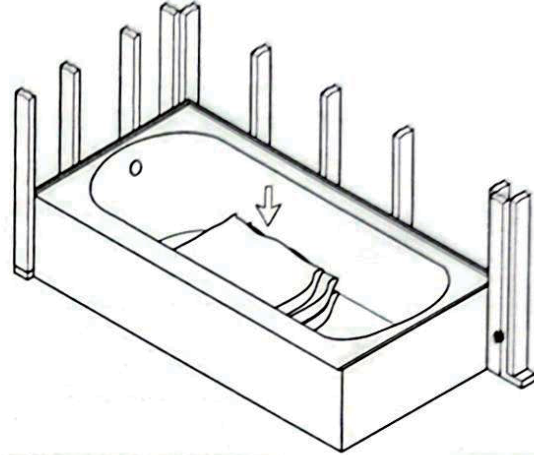
4. Pour a generous (4" to 6") layer of mortar mix cement to the area where your tub basin will be sitting, please note that due to the tubs slope, it is necessary to apply a thicker layer on the side opposite the drain, make sure to cover the drain to prevent any mortar from falling inside, leave the area where the feet will be resting free of mortar as well.



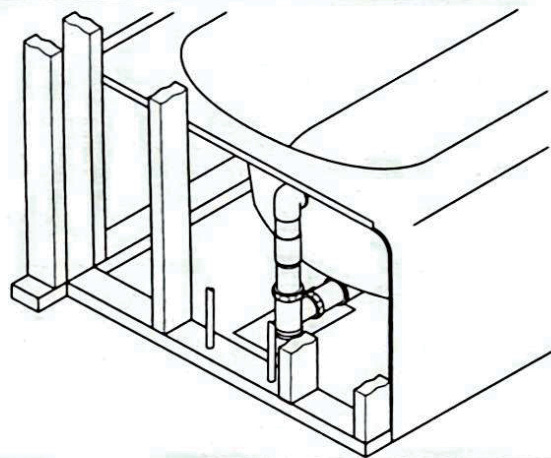
INSTALLATION INSTRUCTIONS FOR IYO-32-2 BATH



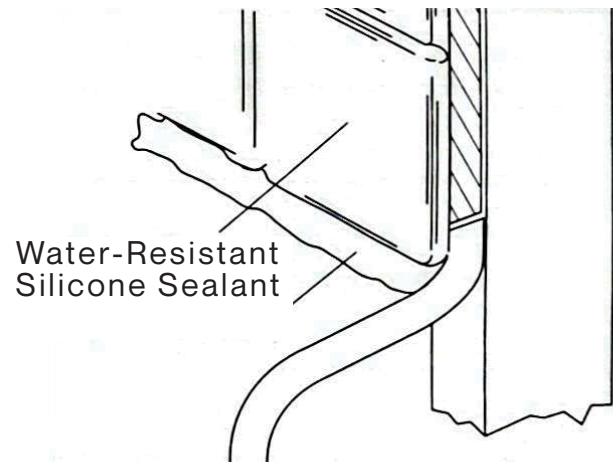
5. Move tub into place, make sure the tub is level and plumb. Adjust feet or shim as necessary. The tubs weight should be supported on the feet. Make sure that the mortar bed is in contact with the entire tub basin.



6. Secure to the wall with galvanized screws at the predrilled screw location. Apply weight to the middle of the tub until the mortar sets.



7. Connect the tub drain system.



8. Install water resistant gypsum board and finish surface material (tile, stone) and seal all edges with silicone caulking to prevent water damage.

