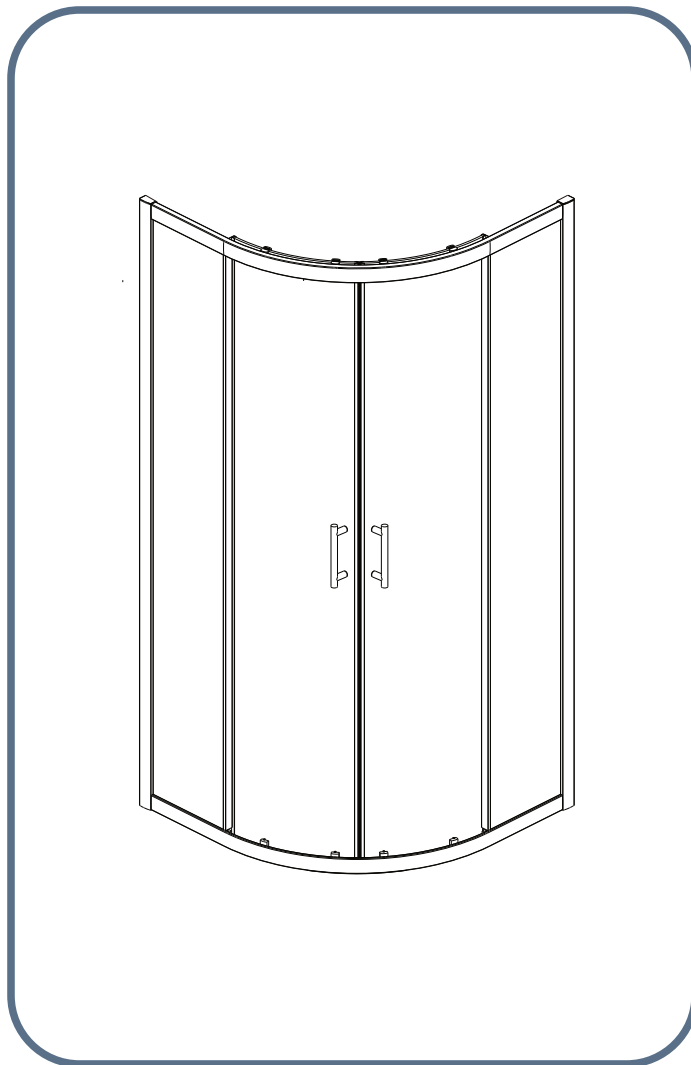


Model No : CELESTA

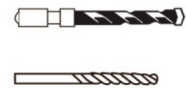
INSTALLATION INSTRUCTIONS



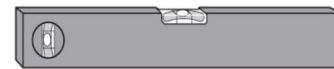
Tools Required



Drill



6mm Masonry Drill
3.2mm HSS Drill



Spirit level



Sealant Gun



Tape Measure



Pencil



**PH2 TYPE
Screwdriver**

Please not hand tools NOT supplied.

IMPORTANT

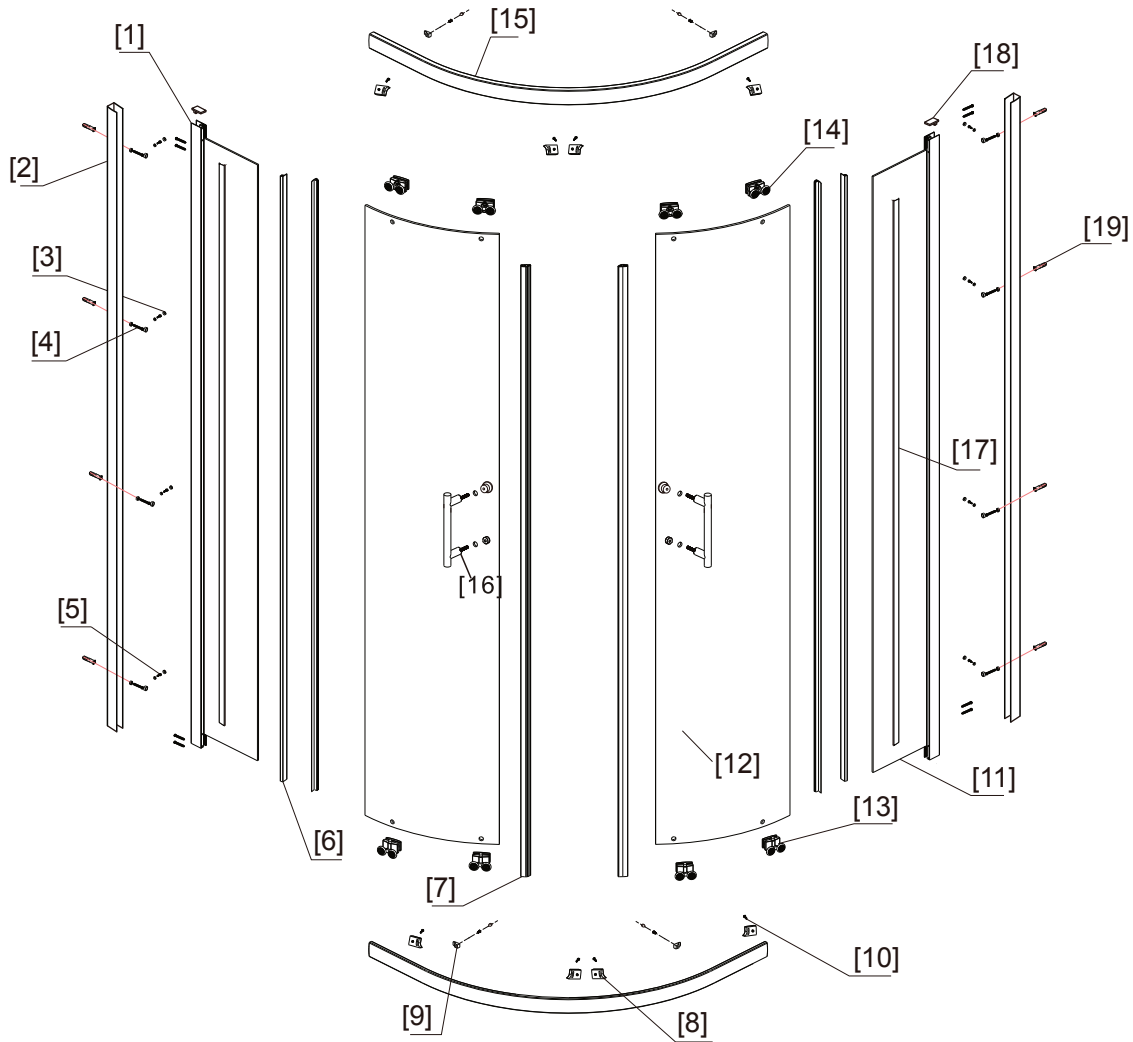
These instructions assume that installation is done against solid/tiled walls.

The wall plugs supplied with the installation kit are for use on solid walls. Hollow or stud-partition walls will require alternative fixings. Please consult with a reputable trades person or hardware supplier for the correct type of fixing.

It may also be necessary to consult your tiling supplier about the correct method drilling your tiles.



Assembly Drawing

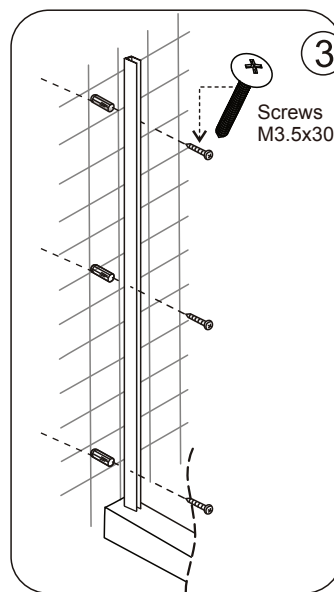
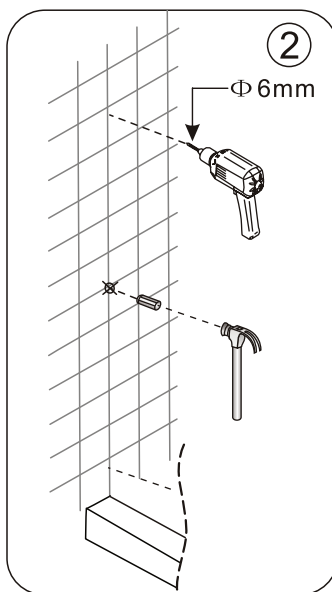
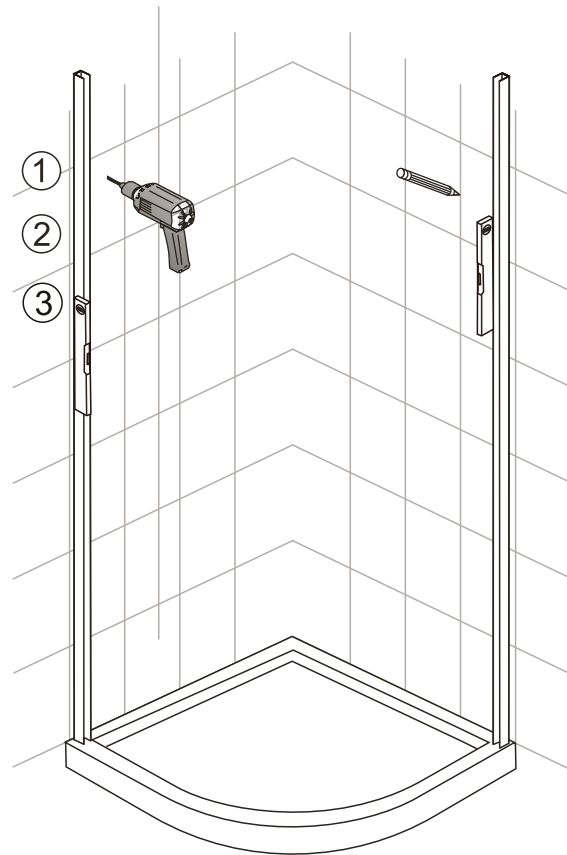
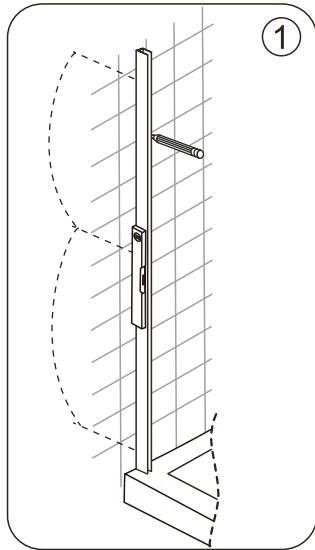


NO.	Description	Qty	NO.	Description	Qty
1	Wall Jamb	2	11	Fixed Glass	2
2	Wall Profile	2	12	Moving Glass	2
3	Cover A+ Cover B	8	13	Bottom Roller	4
4	3.5*30 Screw	16	14	Upper Roller	4
5	4*10 Screw	8	15	Rail	2
6	Waterproof PVC Strip	4	16	Handle	2
7	Magenetic Strip	2	17	Single PVC Strip	2
8	Bumper block	8	18	Wall Profile Cover	2
9	Positioning block	4	19	Expansion Sleeve	8
10	4*10 Screw	12	20		

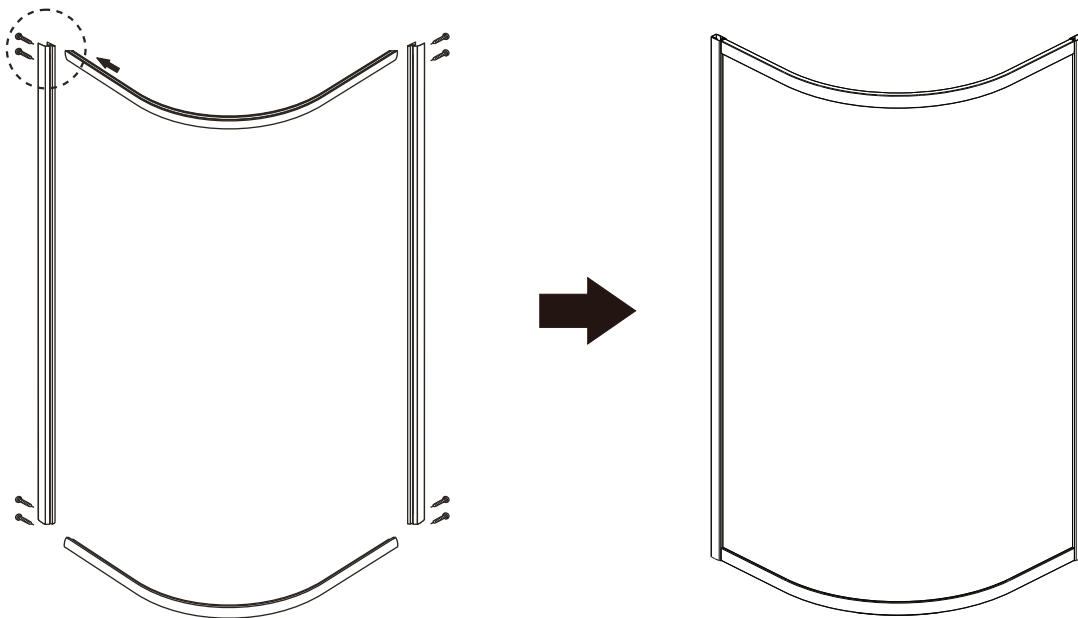


Installation Steps

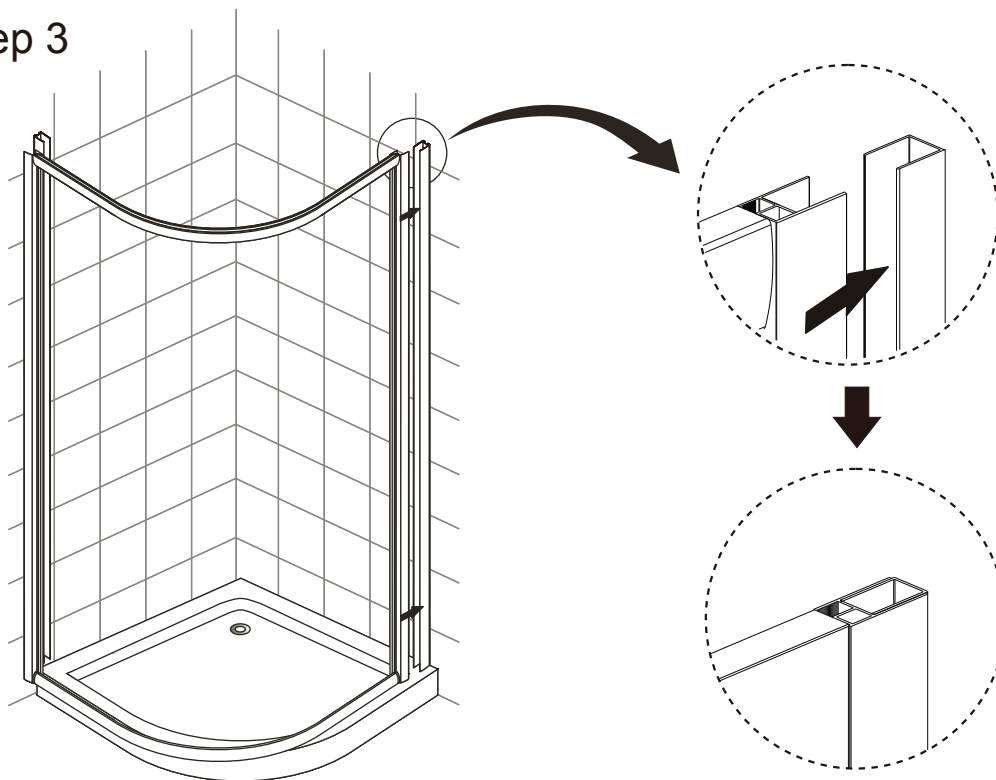
Step 1



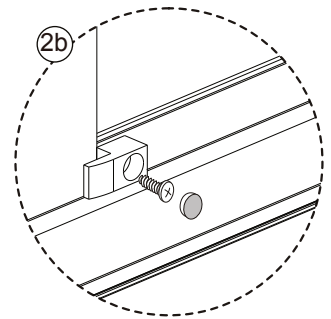
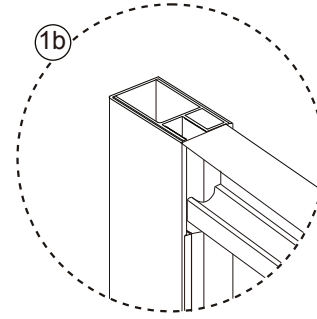
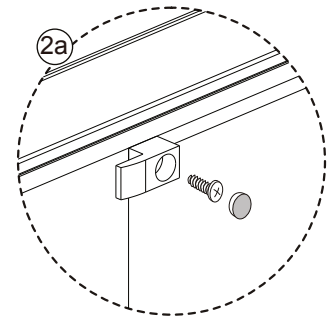
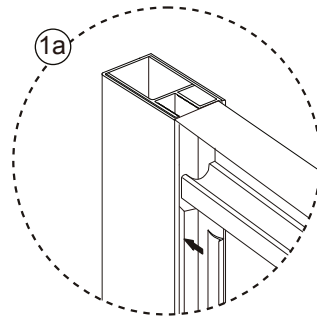
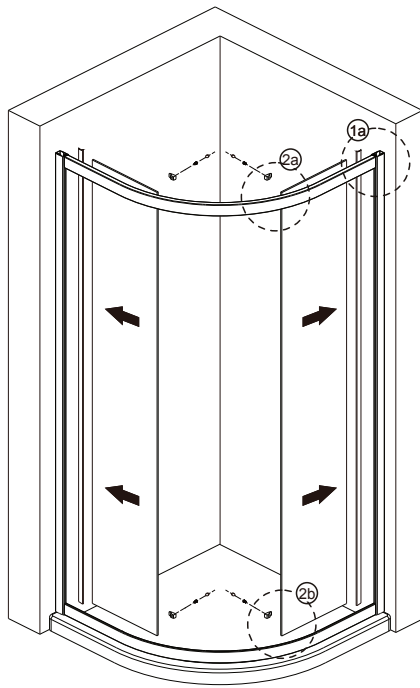
Step 2



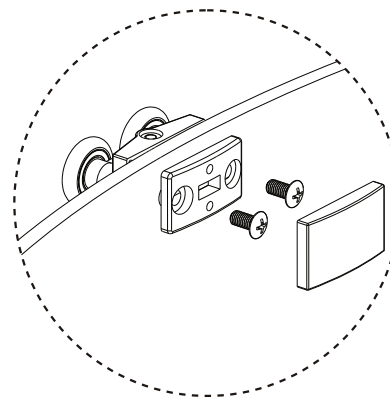
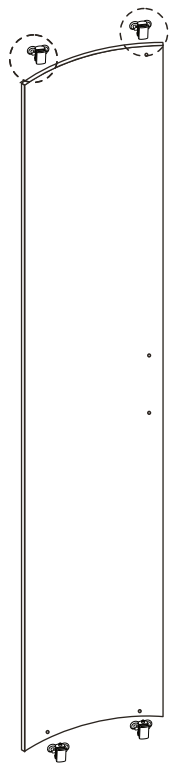
Step 3



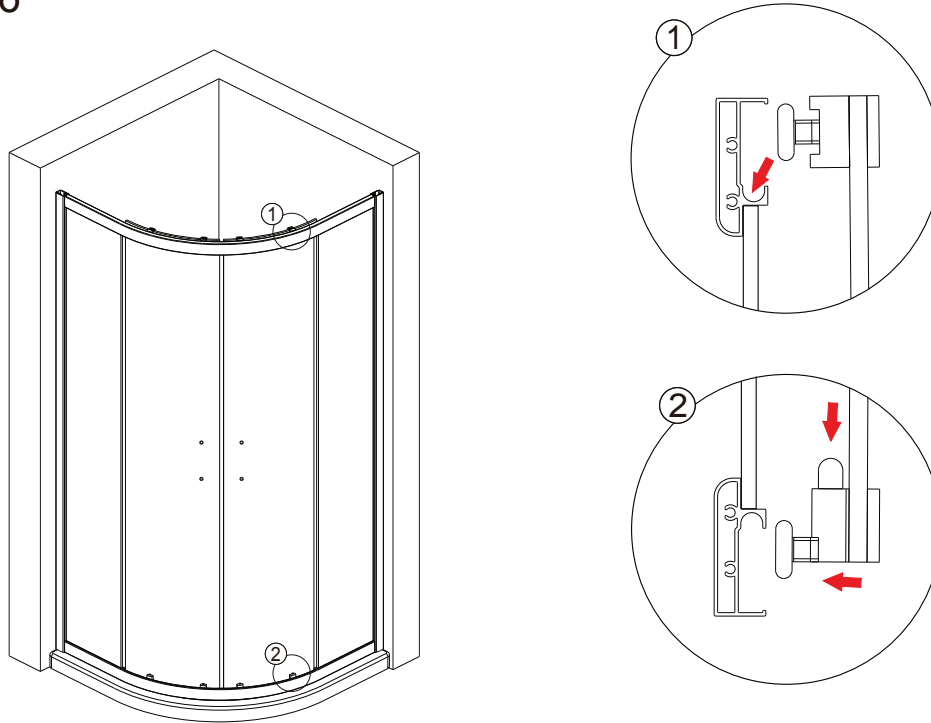
Step 4



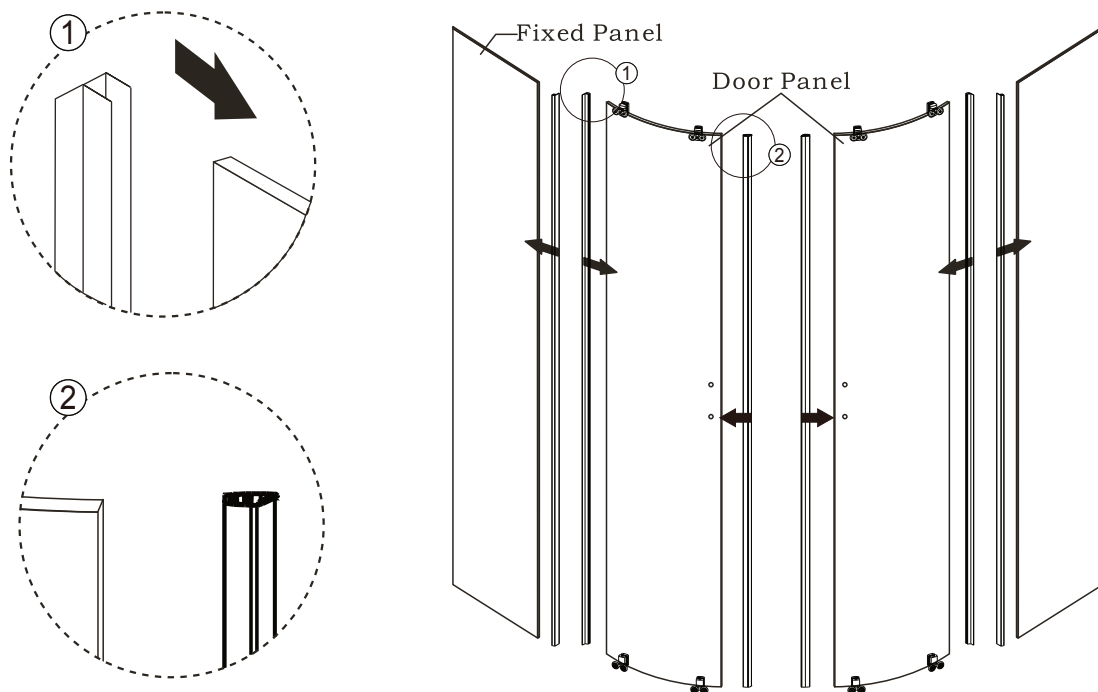
Step 5



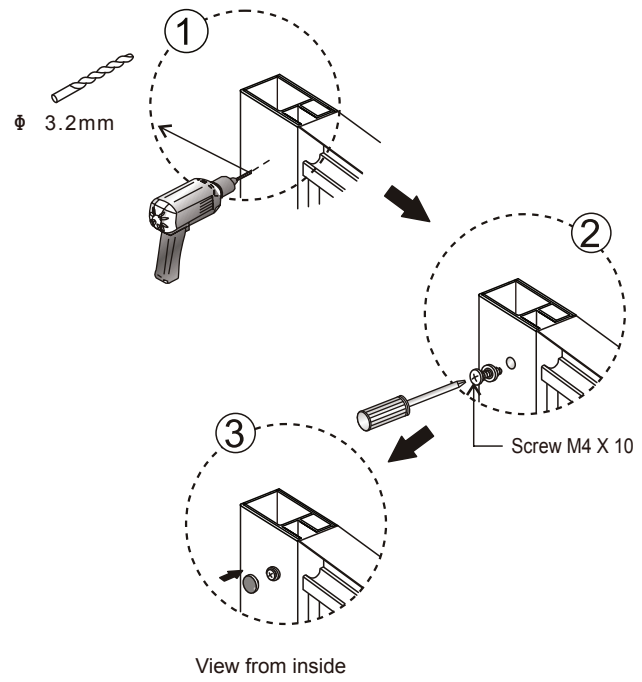
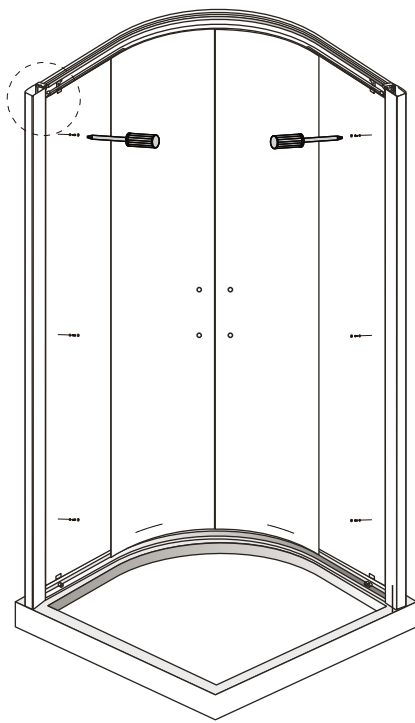
Step 6



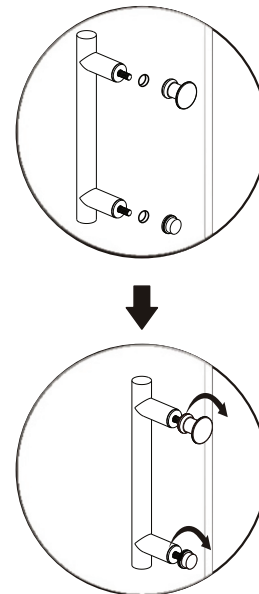
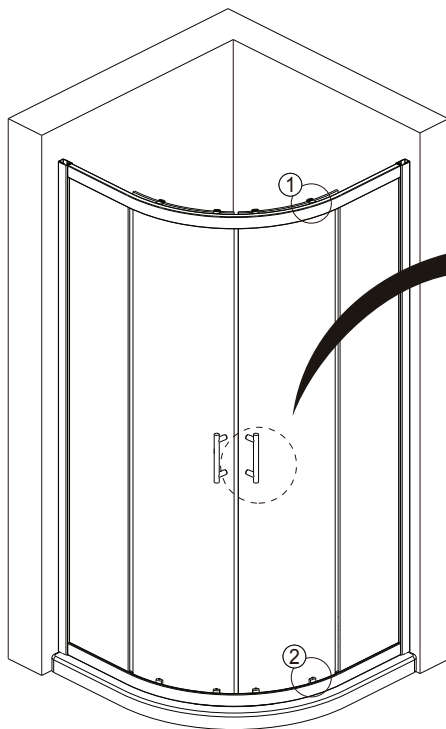
Step 7



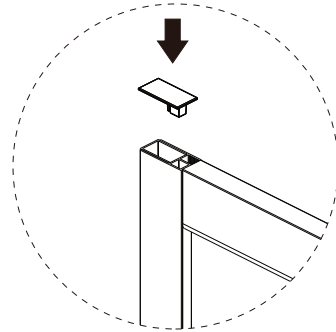
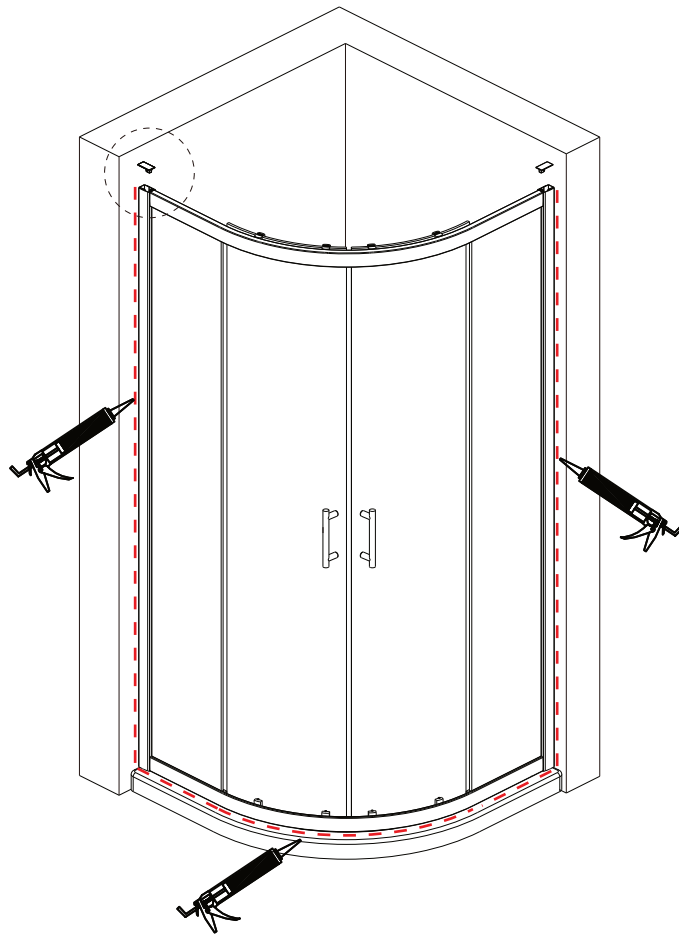
Step 8



Step 9



Step 10



Allow 24 hours for silicone to dry before use.

Silicone on the outside edge only

