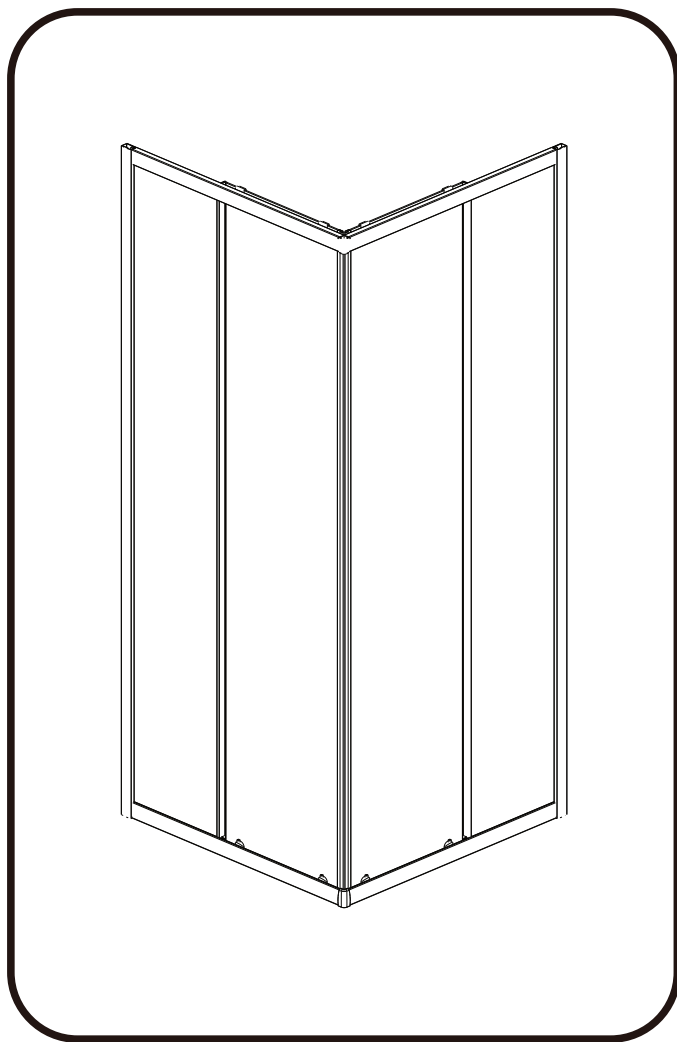


## INSTALLATION INSTRUCTIONS



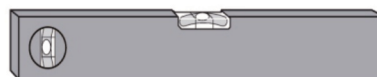
### Tools Required



**Drill**



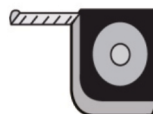
6mm Masonry Drill  
3.2mm HSS Drill



**Spirit level**



**Sealant Gun**



**Tape Measure**



**Pencil**



**PH2 TYPE  
Screwdriver**

Please not hand tools **NOT** supplied.

## IMPORTANT

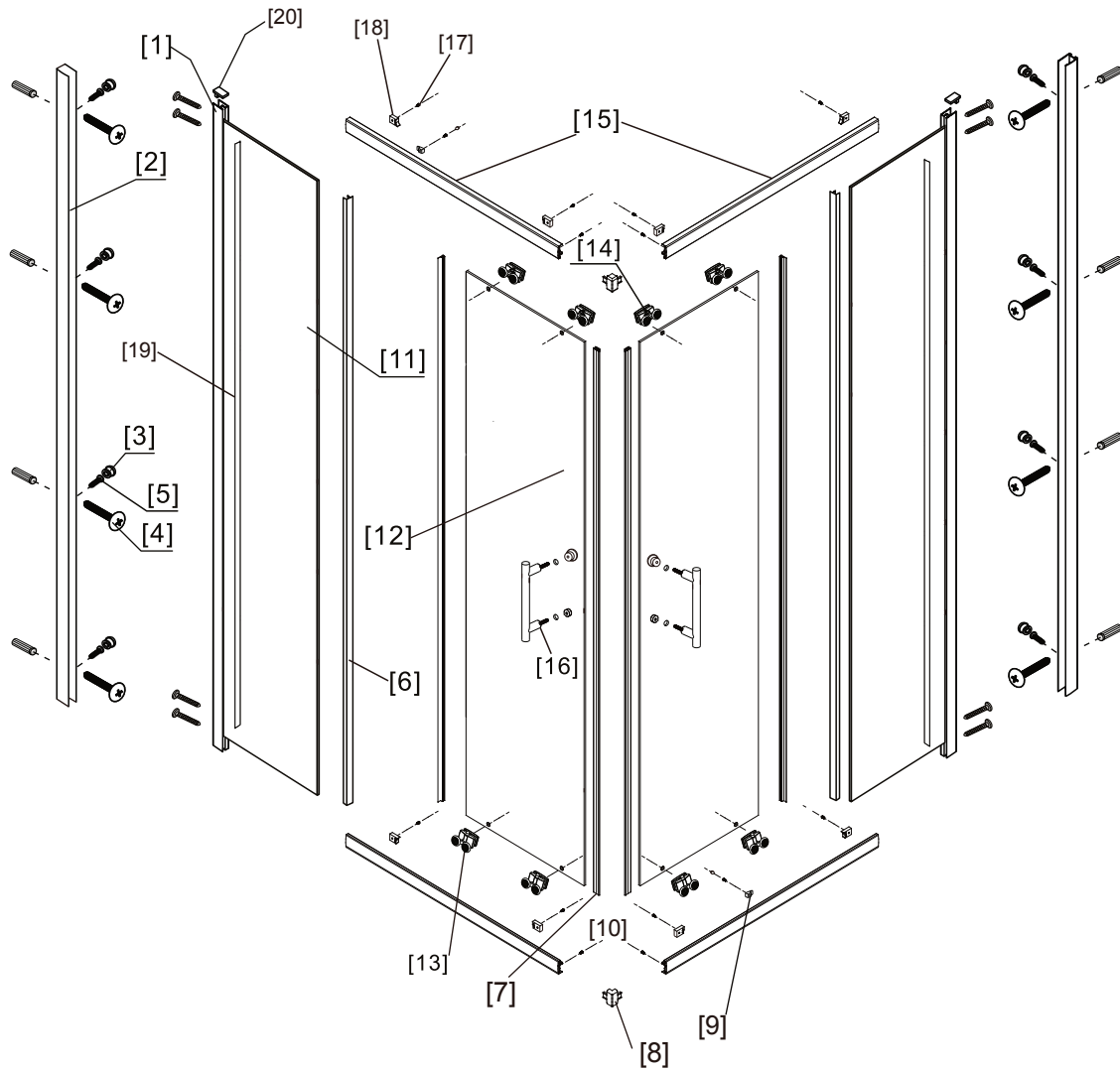
These instructions assume that installation is done against solid/tiled walls.

The wall plugs supplied with the installation kit are for use on solid walls. Hollow or stud-partition walls will require alternative fixings. Please consult with a reputable trades person or hardware supplier for the correct type of fixing.

It may also be necessary to consult your tiling supplier about the correct method drilling your tiles.



# MODEL : SQUARE

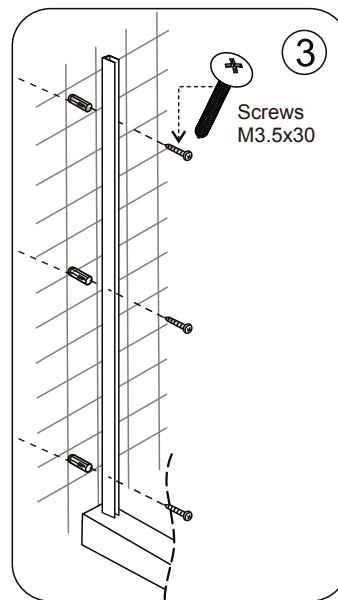
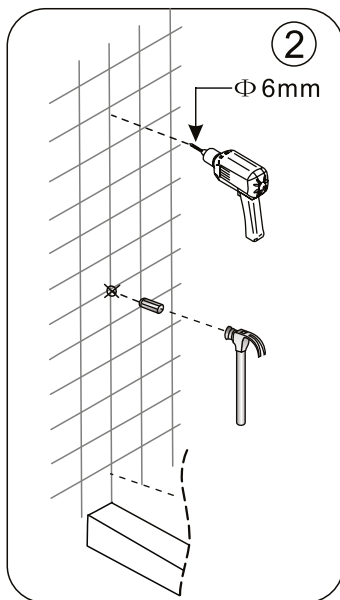
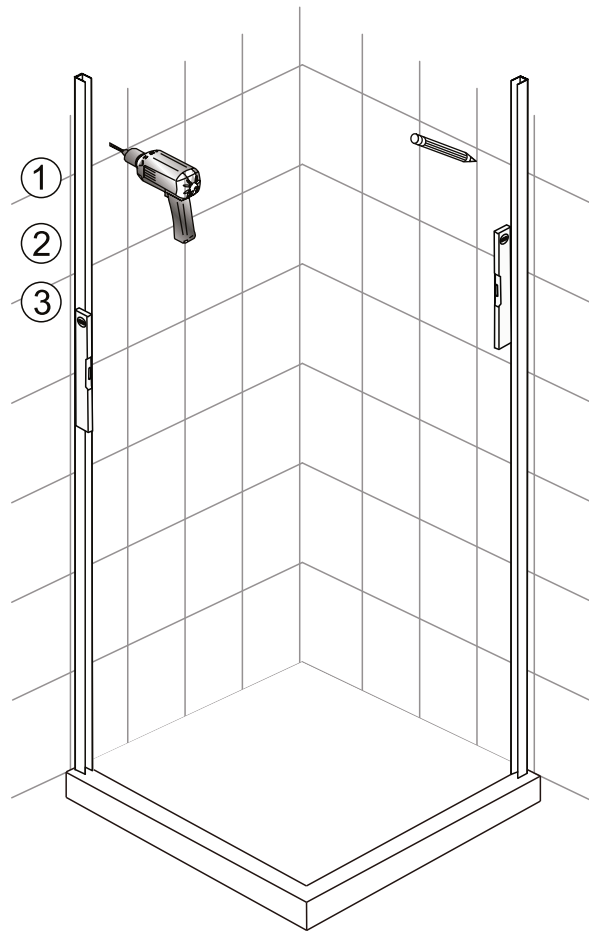
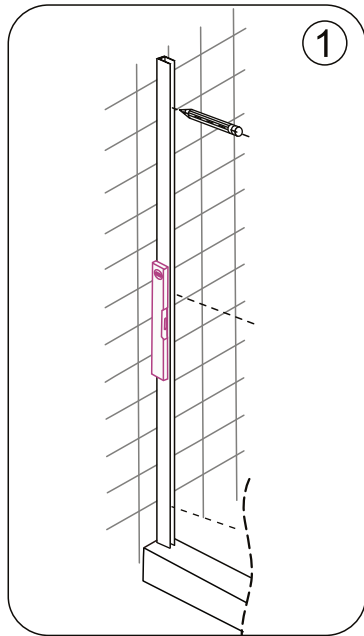


NO.	Description	Qty	NO.	Description	Qty
1	Wall Jamb	2	11	Fixed Glass	2
2	Wall Profile	2	12	Moving Glass	2
3	Cover A+ Cover B	8	13	Bottom Roller	4
4	3.5*30 Screw	16	14	Upper Roller	4
5	4*10 Screw	8	15	Rail	2
6	Waterproof PVC Strip	4	16	Handle	2
7	Magenetic Strip	2	17	4*10 Screw	12
8	Corner Part	2	18	Bumper block	8
9	Positioning block	4	19	Single PVC Strip	2
10	4*6 Screw	4	20	Wall Jamb Cover	2



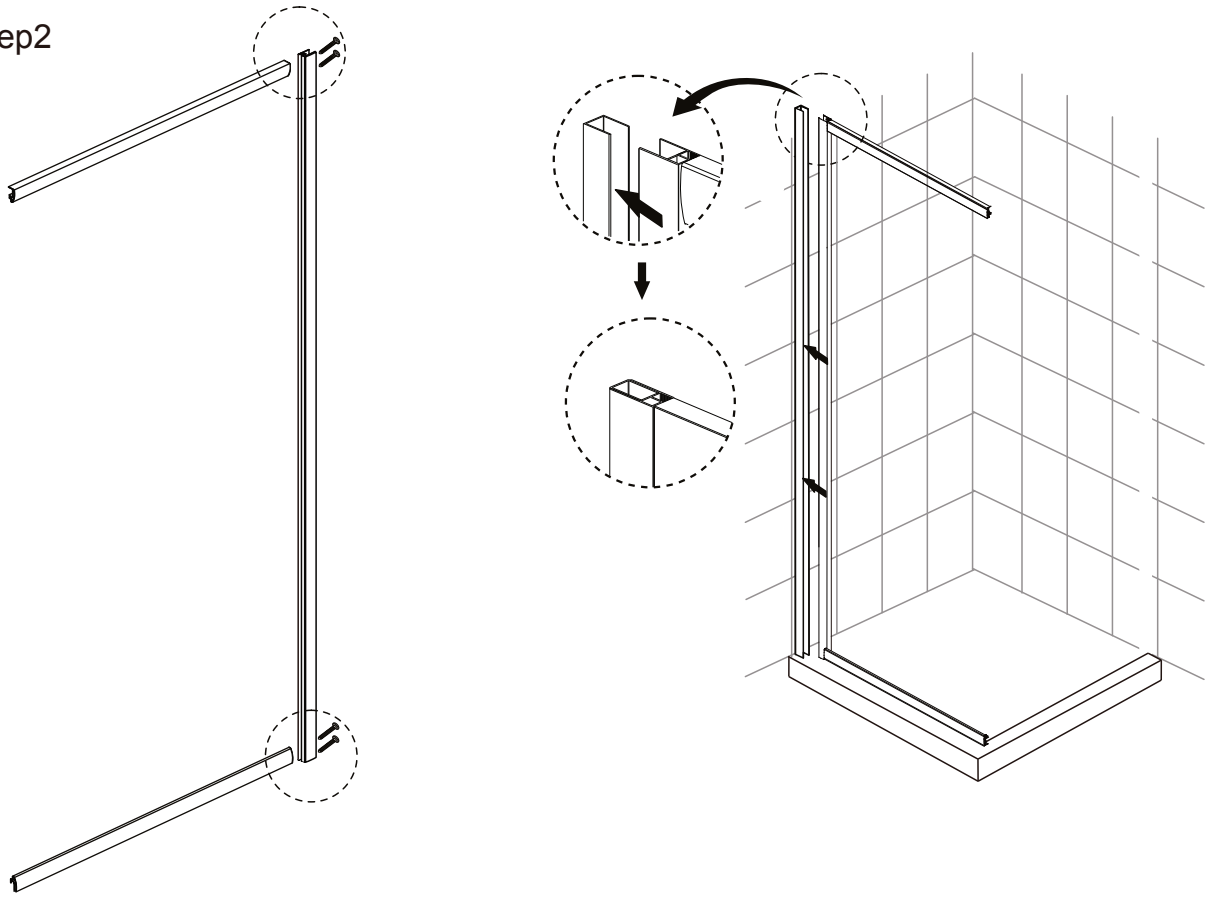
# INSTALLATION STEPS

## Step1

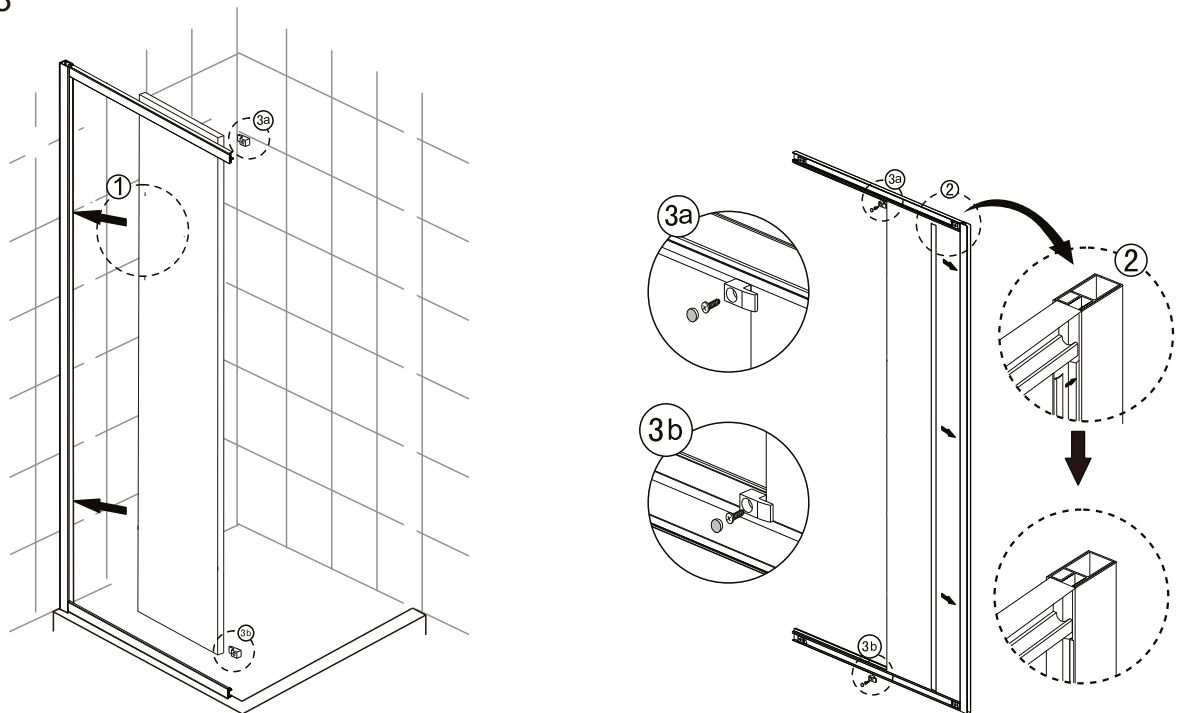


# MODEL : SQUARE

Step2

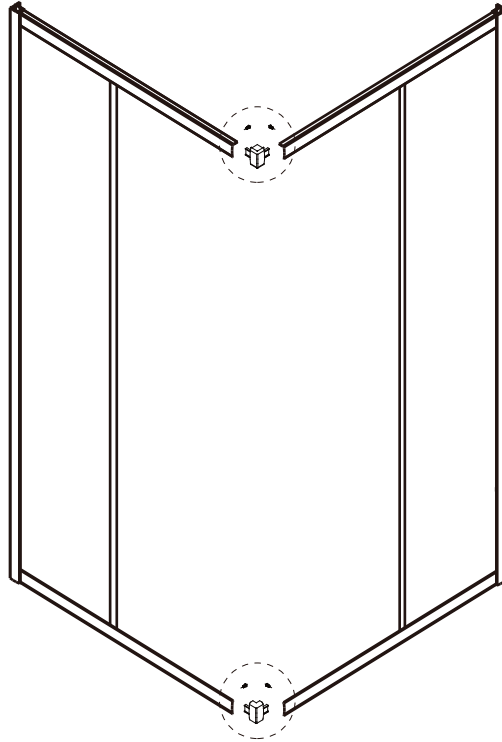
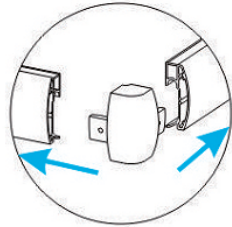
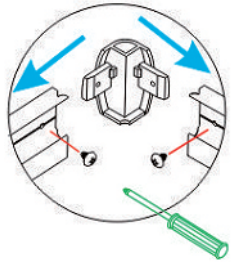


Step3

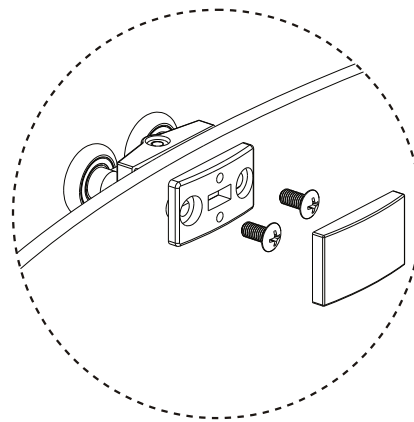
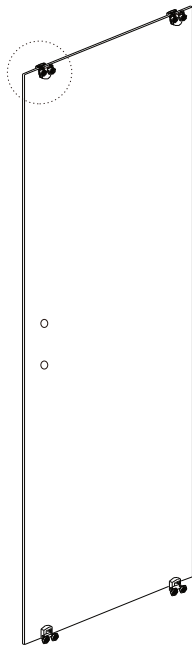


# MODEL : SQUARE

Step4

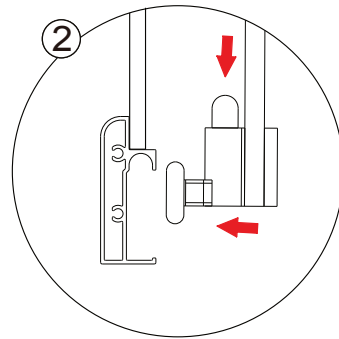
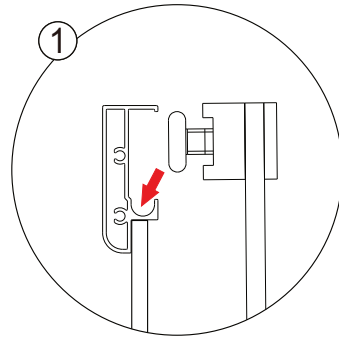
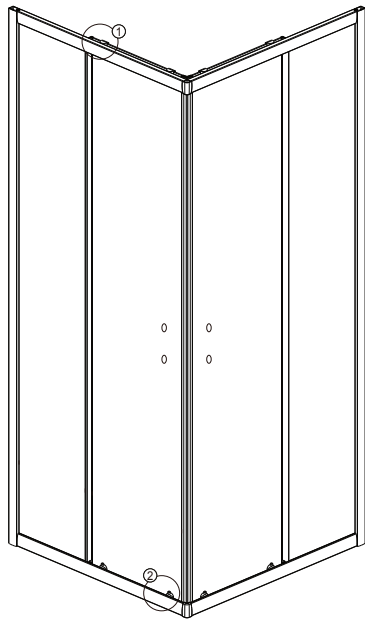


Step5

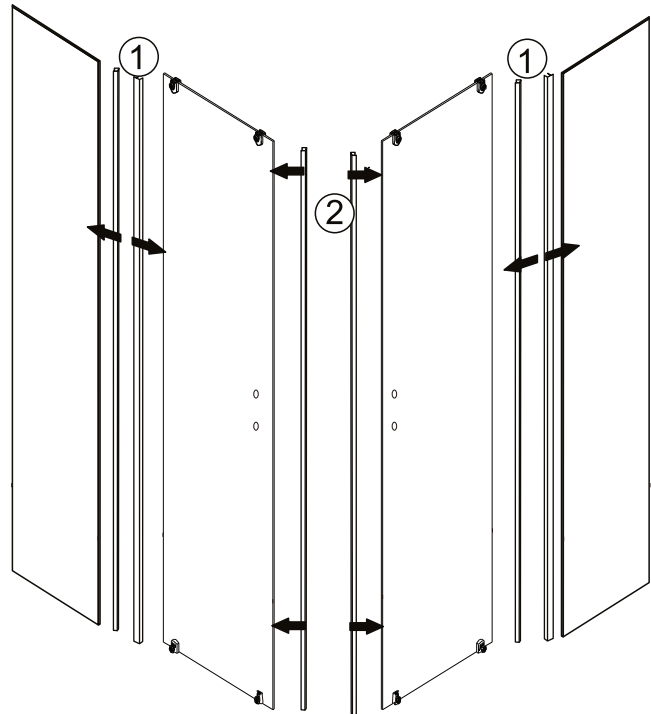
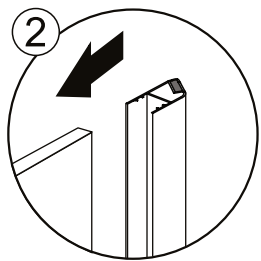
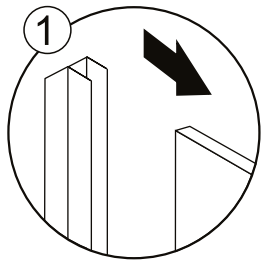


# MODEL : SQUARE

## Step 6

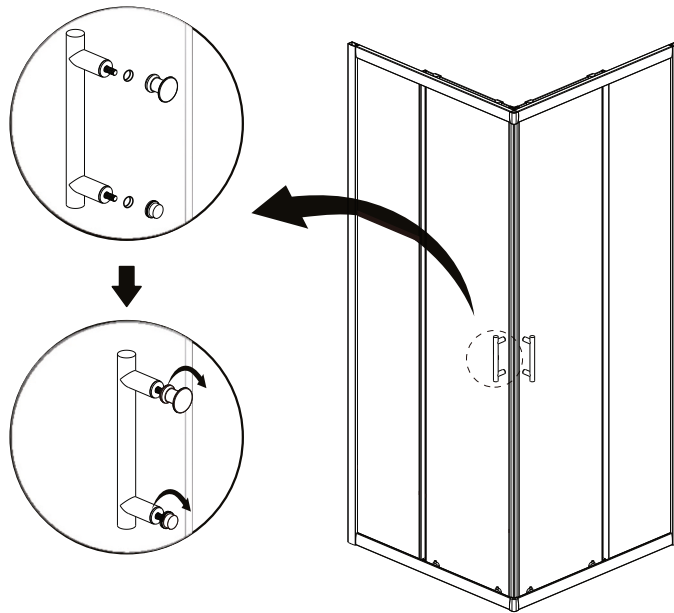


## Step 7

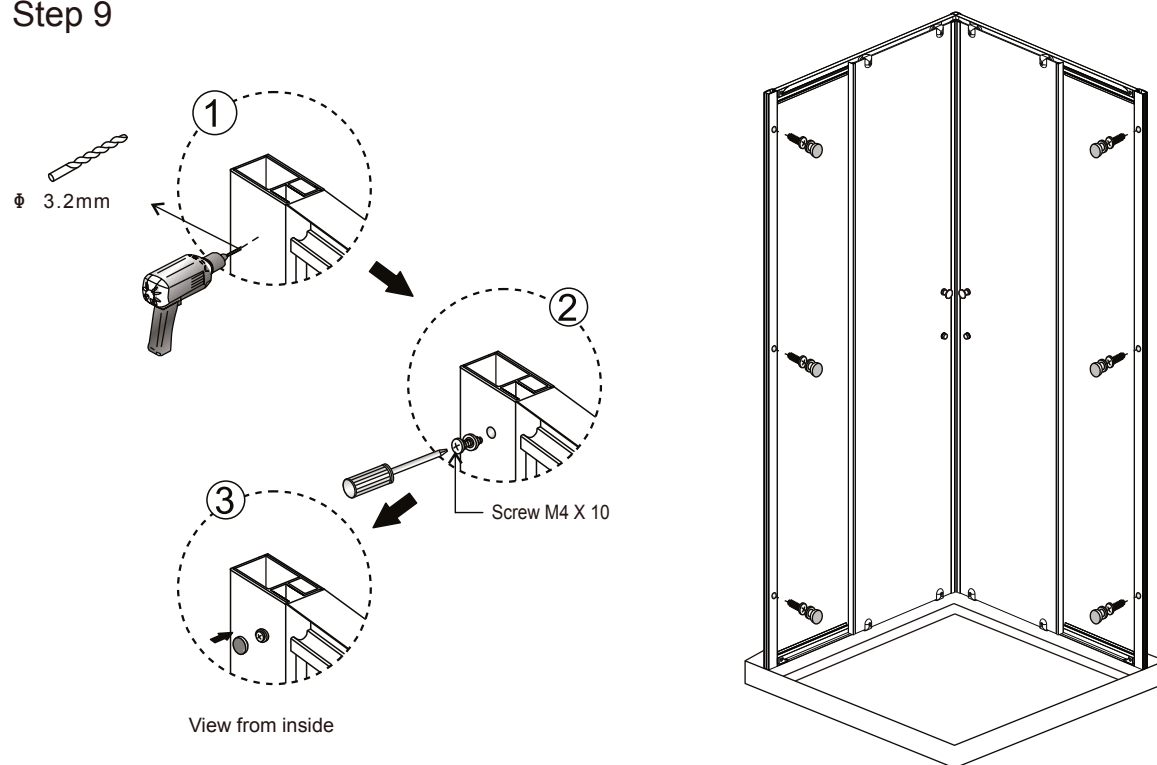


# MODEL : SQUARE

## Step 8

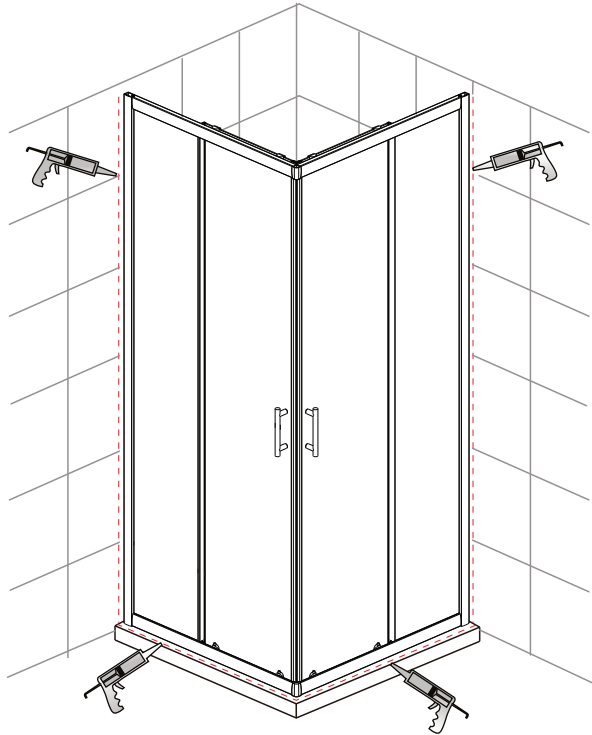


## Step 9



# MODEL : SQUARE

## Step 10



Allow 24 hours for silicone to dry before use.  
silicone on the outside edge only.

