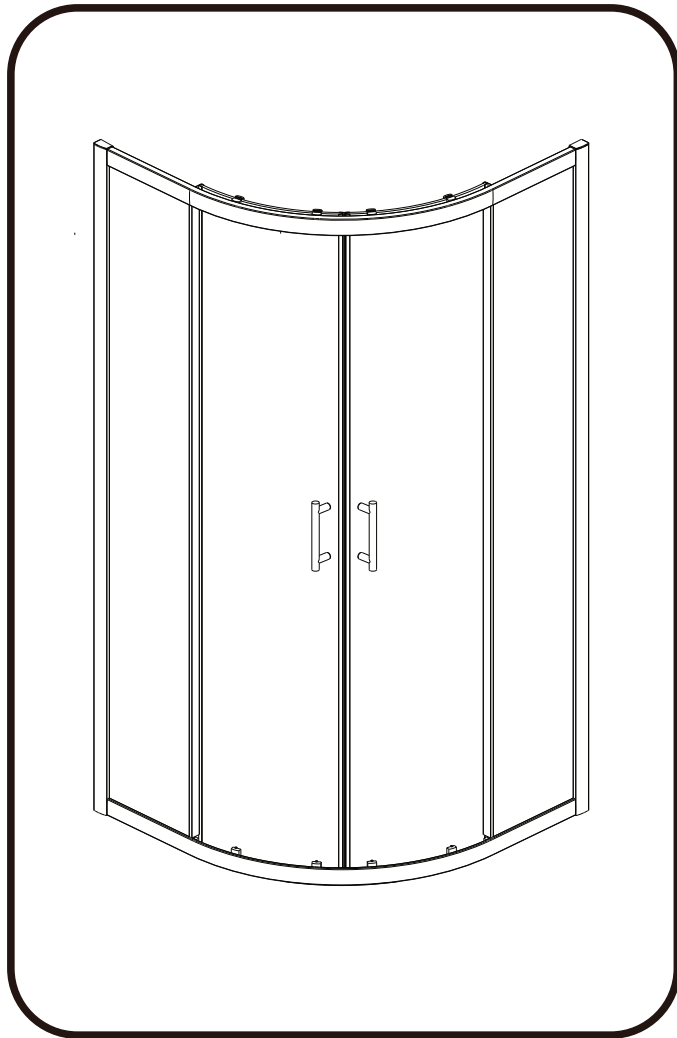
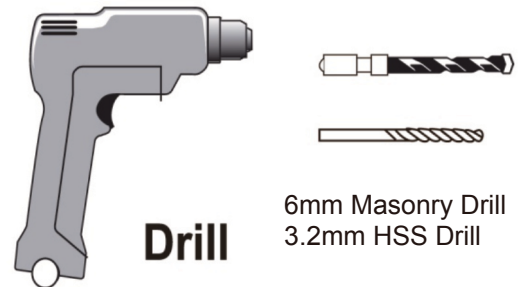


INSTALLATION INSTRUCTIONS

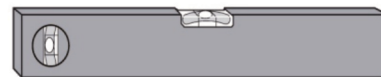


Tools Required



Drill

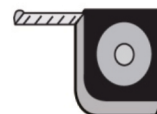
6mm Masonry Drill
3.2mm HSS Drill



Spirit level



Sealant Gun



Tape Measure



Pencil



**PH2 TYPE
Screwdriver**

Please not hand tools **NOT** supplied.

IMPORTANT

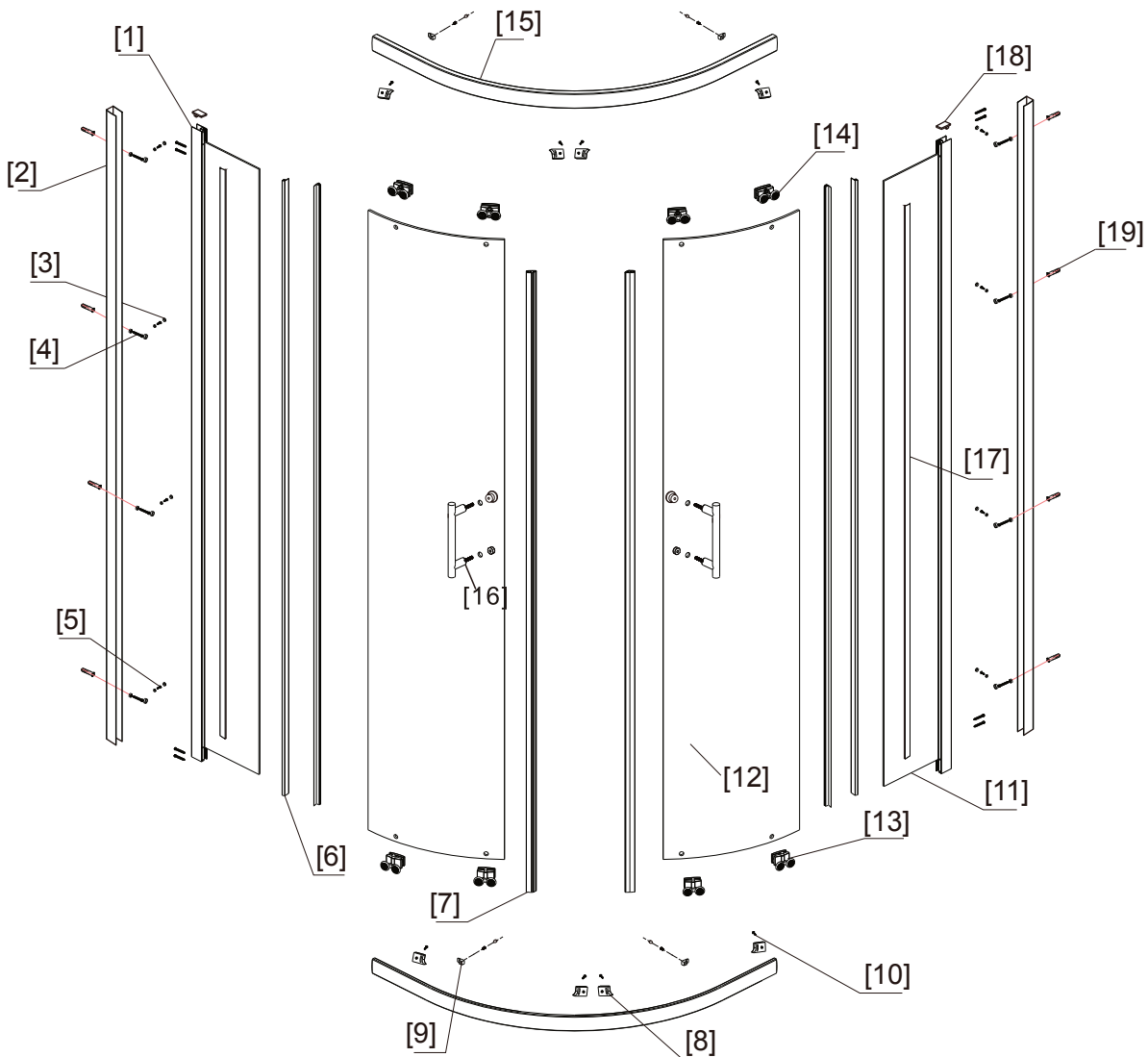
These instructions assume that installation is done against solid/tiled walls.

The wall plugs supplied with the installation kit are for use on solid walls. Hollow or stud-partition walls will require alternative fixings. Please consult with a reputable trades person or hardware supplier for the correct type of fixing.

It may also be necessary to consult your tiling supplier about the correct method drilling your tiles.



MODEL : CELESTA

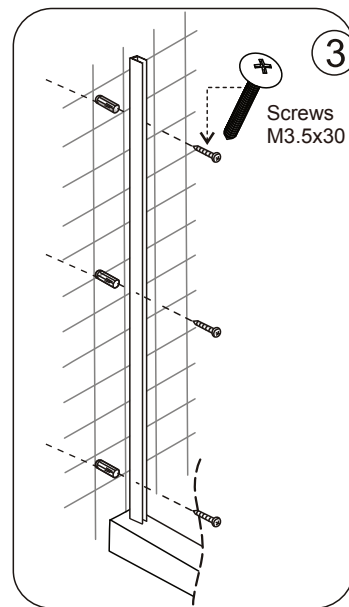
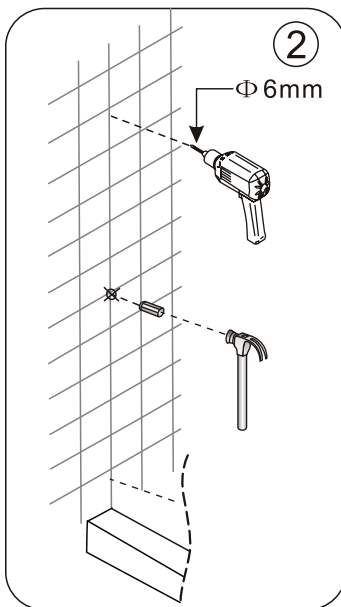
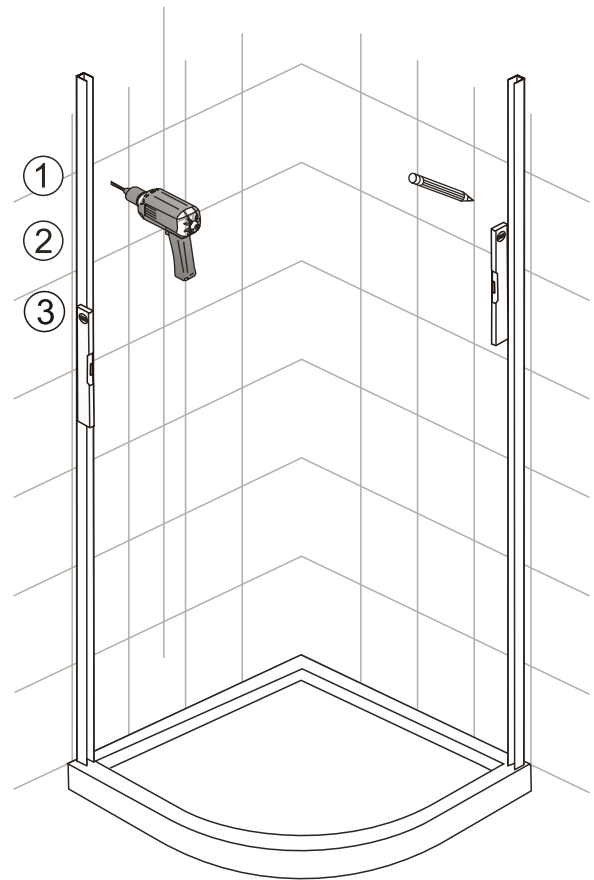
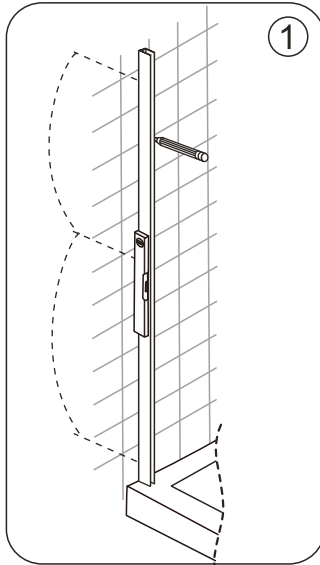


NO.	Description	Qty	NO.	Description	Qty
1	Wall Jamb	2	11	Fixed Glass	2
2	Wall Profile	2	12	Moving Glass	2
3	Cover A+ Cover B	8	13	Bottom Roller	4
4	3.5*30 Screw	16	14	Upper Roller	4
5	4*10 Screw	8	15	Rail	2
6	Waterproof PVC Strip	4	16	Handle	2
7	Magenetic Strip	2	17	Single PVC Strip	2
8	Bumper block	8	18	Wall Profile Cover	2
9	Positioning block	4	19	Expansion Sleeve	8
10	4*10 Screw	12	20		

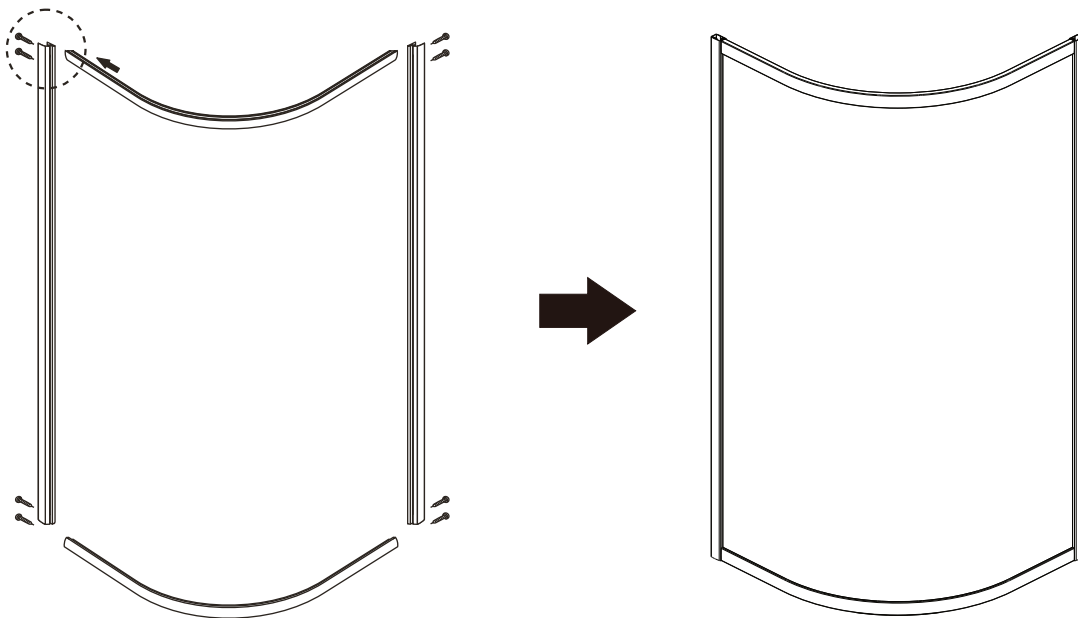


INSTALLATION STEPS

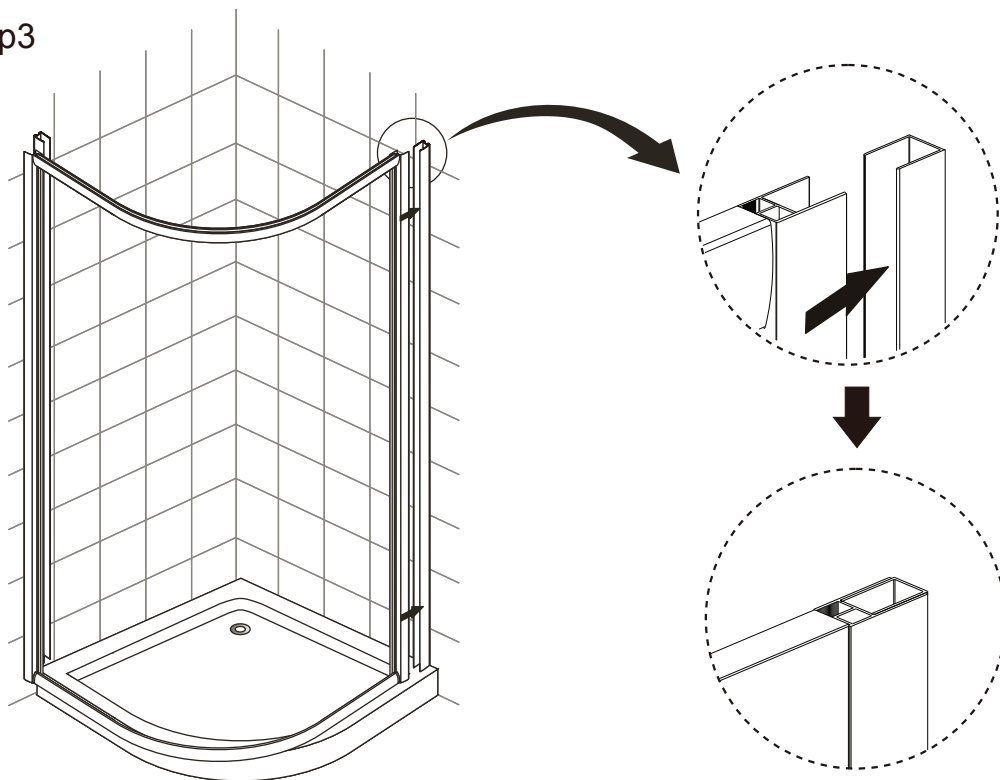
Step 1



Step2

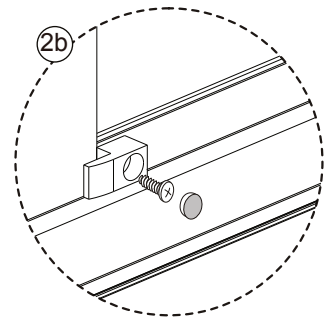
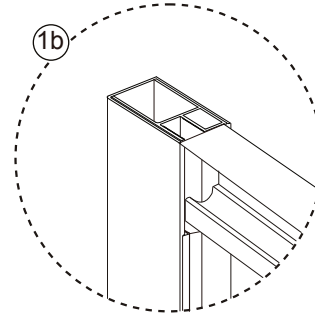
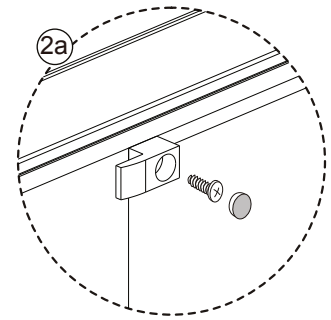
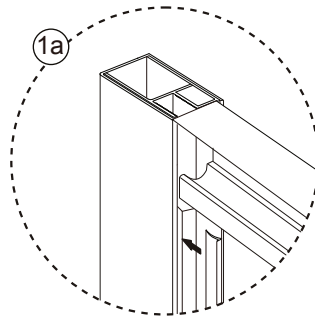
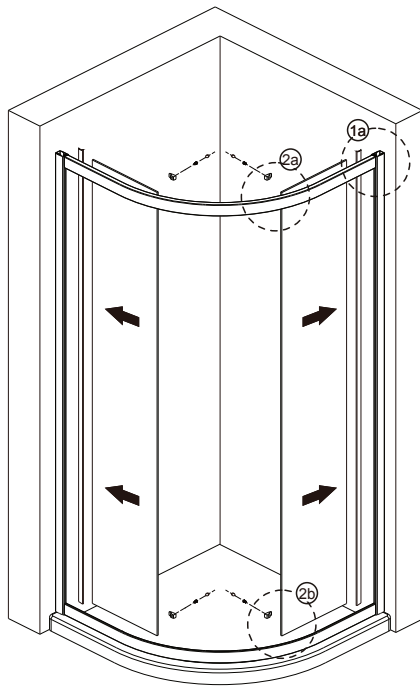


Step3

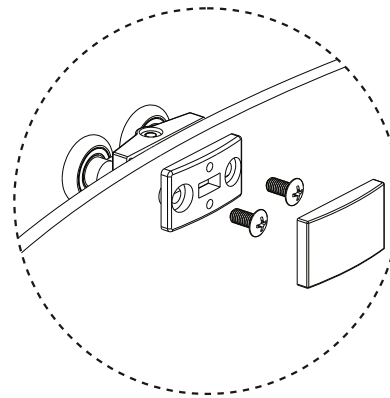
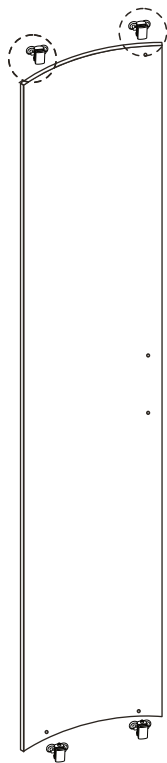


MODEL : CELESTA

Step4

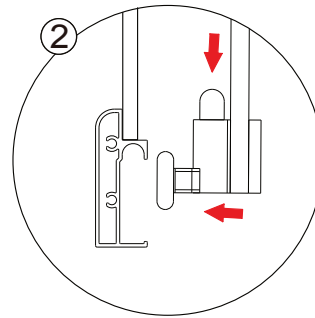
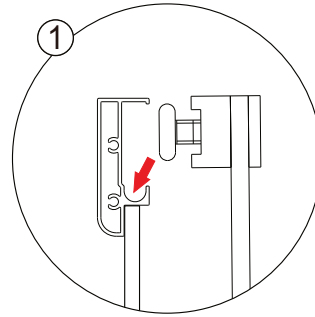
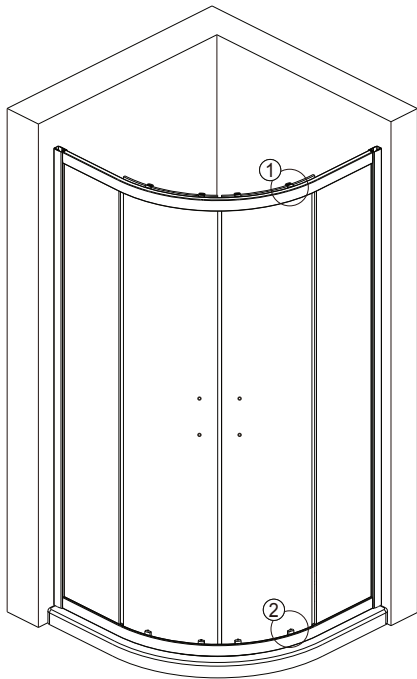


Step5

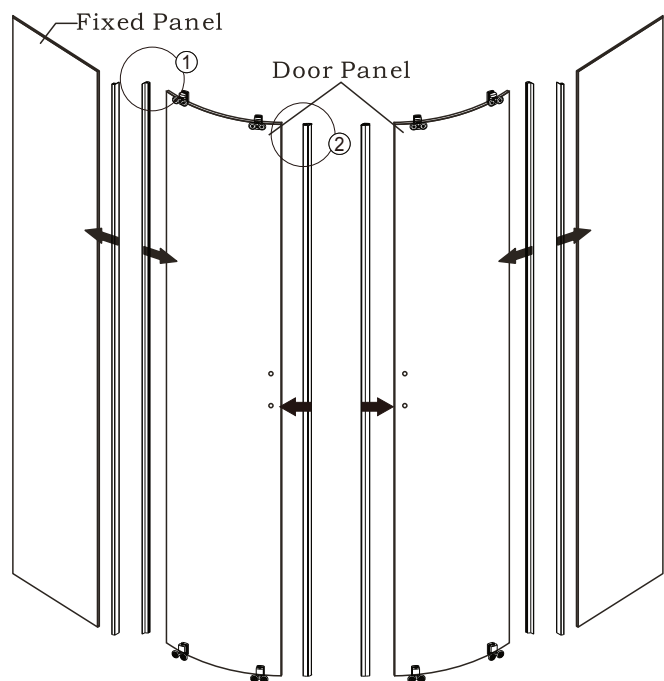
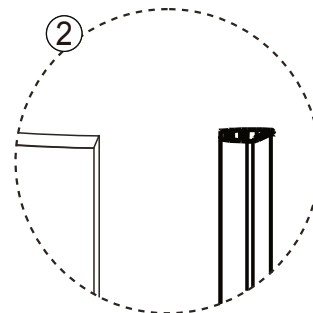
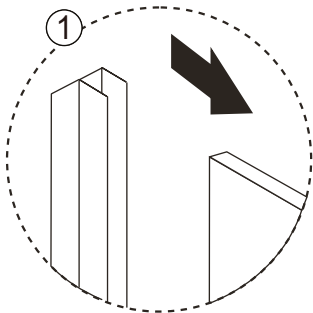


MODEL : CELESTA

Step 6

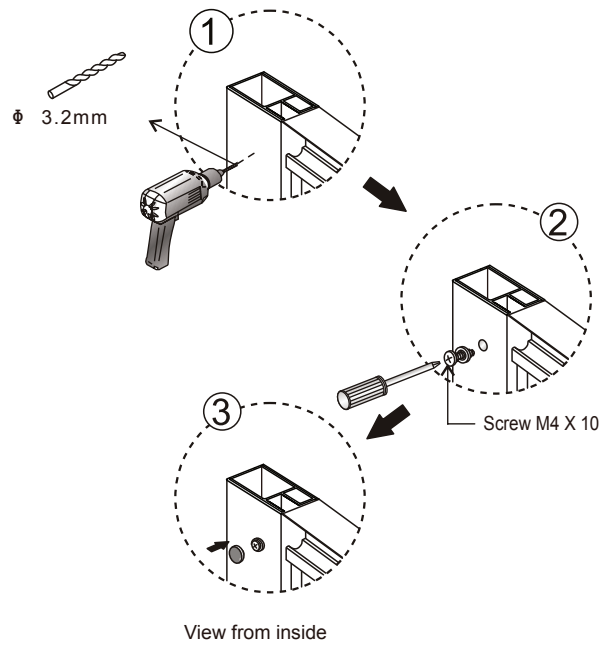
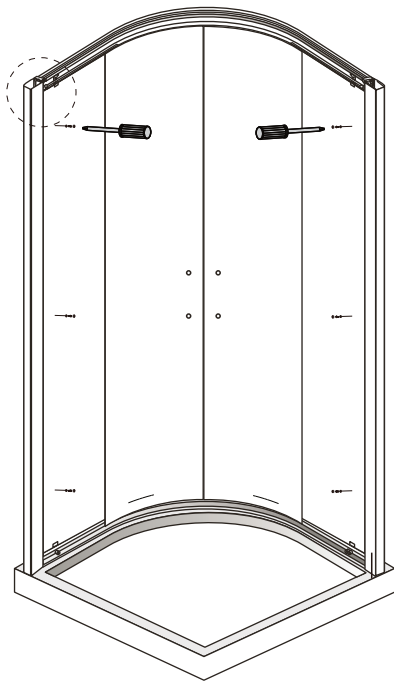


Step 7

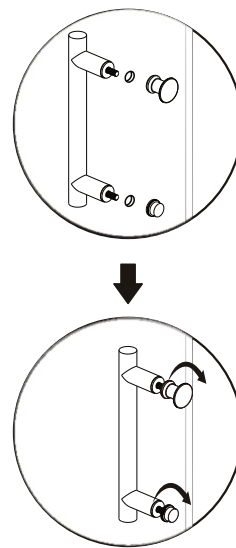
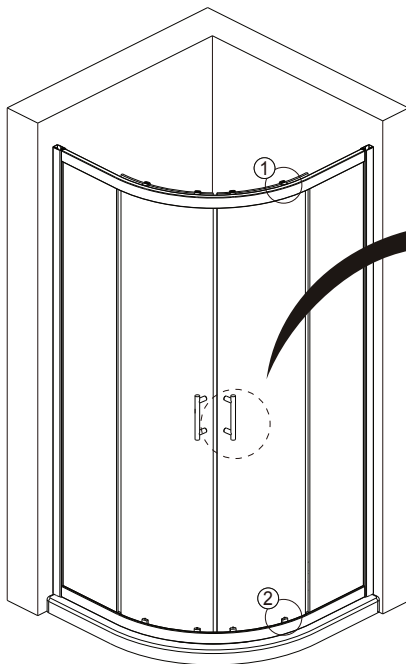


MODEL : CELESTA

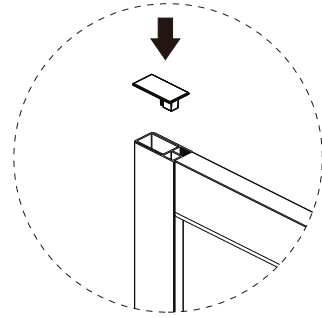
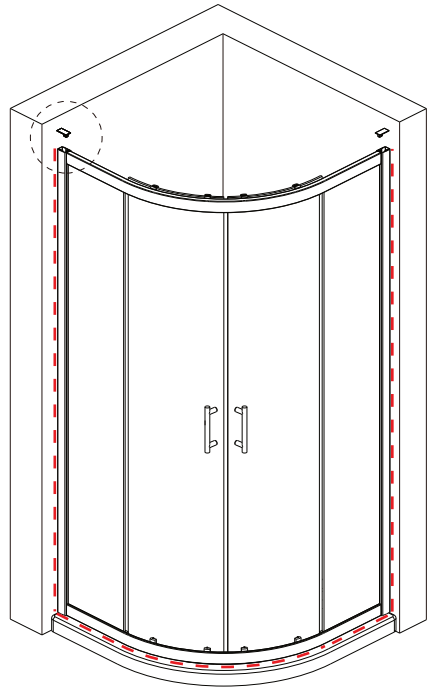
Step 8



Step 9



Step 10



Allow 24 hours for silicone to dry before use.
silicone on the outside edge only.

