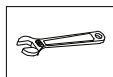
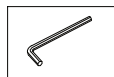


WALL MOUNTED BASIN FAUCET INSTALLATION

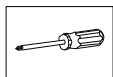
INSTALLATION MANUAL Tools You will need



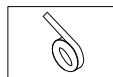
Adjustable Wrench



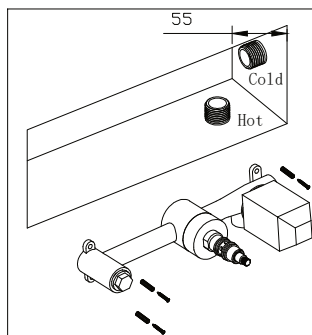
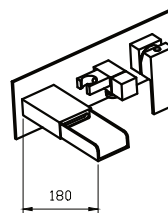
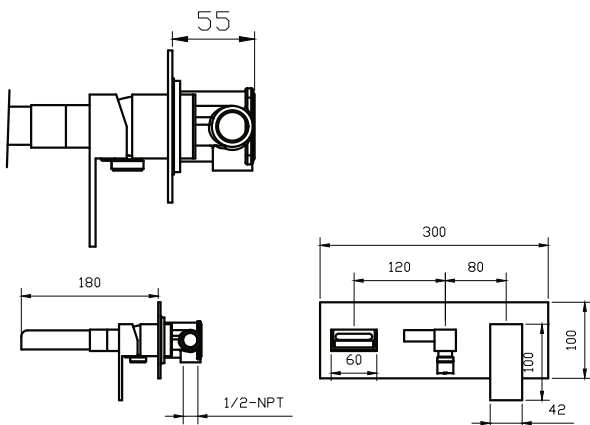
Allen key



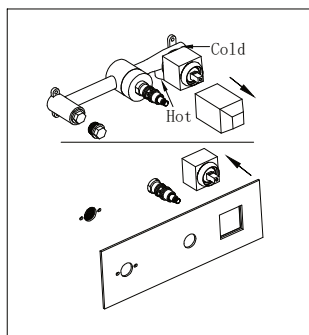
Philips Screwdriver



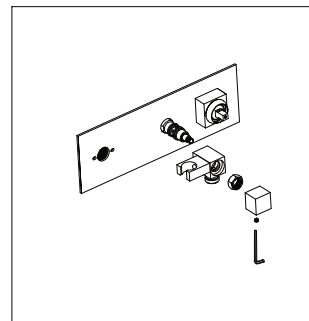
Teflon Tape



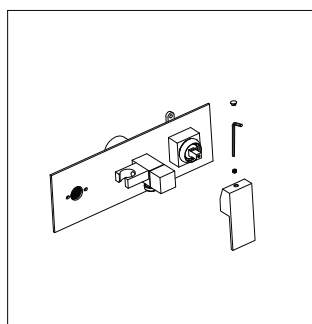
1. Open holes [size of opening is (265-272) x (92-96) x (55) mm (LxWxD)] and embedded water pipes (hot and cold inlet pipes, outlet pipes) as required; Install the main body in the embedded hole and connect the pipe. (10.43-10.7) x (3.62-3.77) x (2.16) inch (LxWxD)



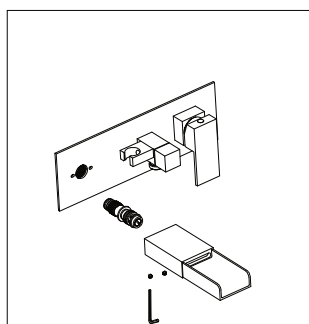
2. Fill the embedded hole after no water leakage, and press the panel to the wall after removing the protective cover.



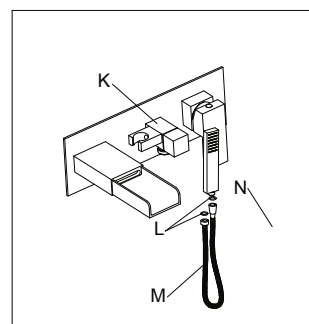
3. Press the sprinkler body on the embedded body, tighten the lock nut with the adjustable spanner to fix the shower body, (pay attention to keep it horizontal); Use the hexagon key to install the switch handle and install the color button.



4. Use the hexagon key to install the switch handle and install the color button.



5. Install the tub spout into the outlet on the wall. Then connect the top shower to the spout.



6. Add rubber washers (L) at both ends of the shower hose (M). Connect shower hose (M) to the wall supply holder (K) and hand shower (N). Then, place the hand shower (N) to the wall supply holder (K).

